



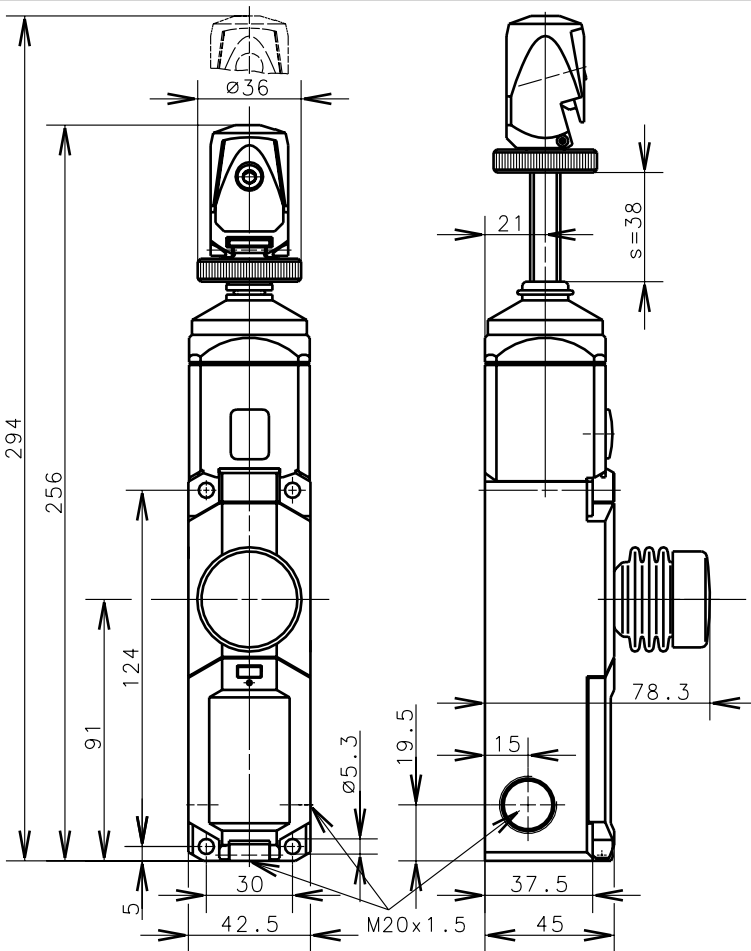
Bernstein

Bernstein AG
Postfach 1164
D-32437 Porta Westfalica

Technical data sheet

SR-U2Z-QF 175

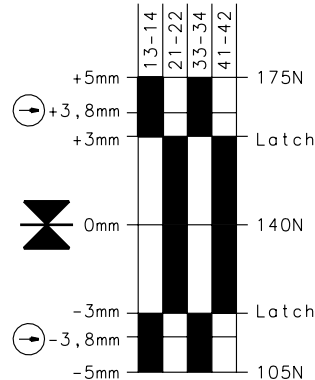
601.1629.024



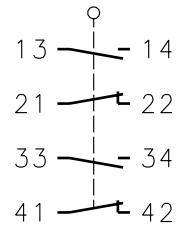
Positive opening operation according to DIN EN 60947-5-1 IEC 60947-5-1

Emergency stop and reset function acc. IEC 60947-5-5

Latching according to DIN EN 418



Switching diagram



Switching symbol

Tolerance of tensile force $\pm 15\%$

Schutzvermerk nach DIN 34 beachten
Copyright reserved

15.10.2002

Mechanical features

Enclosure: PA 6 GV (UL94-V0)
Cover: PA 6 GV (UL94-V0)
Actuator: Zn-die cast/st

Ambient air temperature: -25°C up to $+70^{\circ}\text{C}$
Contact type: 2 NC-contacts, 2 NO-contacts (Zb)
Contact gap: $> 2 \times 2$ mm

Mechanical life: according to IEC 60947-5-5
Rope \varnothing : $D_a = \varnothing 2-5$ mm
Fixing of rope: Quick fixing device
Rope tension device: integrated jackscrew $s = 38$ mm
Rope length: $L_{\text{max.}} = 37,5$ m (with an end spring)
Mounting: 4 x M5
Connection type: 8 x cage clamp max. 1.5 mm^2 flex
Cable entry size: 3 x M20x1.5
Weight: approx. 0,65 kg
Latching device: acc. to DIN EN 418
Emergency stop reset function: Pull blue reset button
Assembly position: any

Electrical features

Rated insulation voltage: $U_i = 250$ V
Utilization categorie: AC 15 230 V/4 A
Thermal current: $I_{\text{the}} = 10$ A
Standards: according to EN 60947-1; EN 60947-5-1
Protection class (IP-Code): IP67 according to EN 60529; DIN VDE 0470 T1
Short-circuit protection: Fuse 10A gL, IEC/EN 60947-5-1, appendix K

Remarks

Rope with accessories can be delivered on request.
The specified protection class (IP-Code) will only be achieved with closed cover and when using an at least appropriate cable gland.