

Technical Data

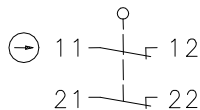
Plastic bodied limit switch

Series C2

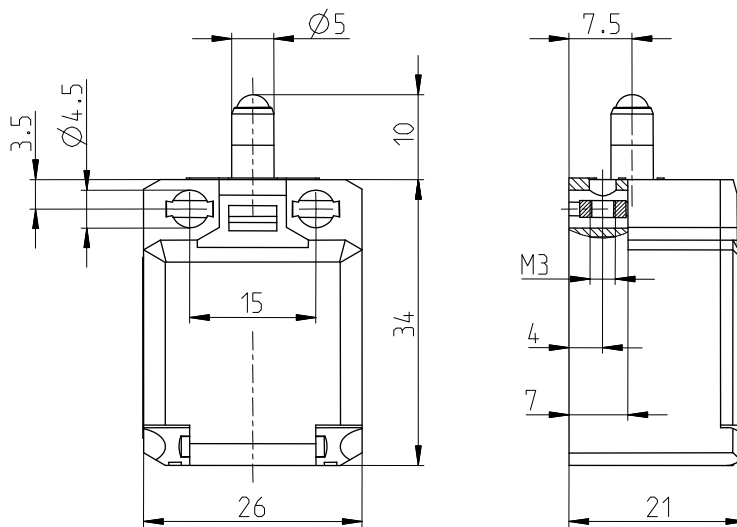
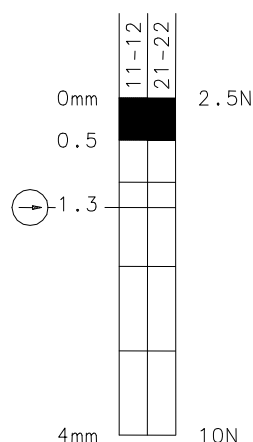
Description **C2-A2Z**



Article number **6008801003**

Operating symbol



Operating diagram



  Tolerance:
 Operating point $\pm 0,25$ mm;
 On Off Actuating force: ± 10 %

Electrical data

Rated insulation voltage	U_i	250 V AC
Conv. thermal current	I_{the}	10 A
Rated operational voltage	U_e	240 V
Utilization category		AC-15, U_e/I_e 240 V / 3 A
Direct opening action	\ominus	acc. to IEC/EN 60947-5-1, Annex K
Short-circuit protective device		Fuse 6 A gG
Protection class		II, totally insulated

This document will not become the contractual basis; the details included herein do not constitute any descriptions of expected conditions, so that warranties/claims for defects on account of possible variations of the actual qualities from the qualities described herein are explicitly excluded. All rights reserved. Specifications subject to change without notice!

Technical Data

Plastic bodied limit switch

Mechanical data	
Enclosure	Thermoplastic, glass fibre reinforced (UL 94-V0)
Cover	Thermoplastic (UL 94-V0)
Actuator	Push bolt (St)
Ambient air temperature	-30 °C/+80 °C
Contact type	2 NC (Zb)
Mechanical life	3 x 10 ⁶ switching cycles
Switching frequency	≤ 100/min
Assembly	from the top 2 x M4, from the front 2 x M3
Connection	4 screw connections (M3,5)
Conductor cross-sections	Solid: 0,5 - 1,5 mm ² Litz wire with ferrules: 0,5 - 1,5 mm ²
Cable entrance	Rectangle 8,5 x 3,5 mm
Weight	≈ 0,02 kg
Installation position	operator definable
Protection type	IP20 acc. to EN 60529; DIN VDE 0470 T1 IP30 will be reached when all contacts are connected with outer wire diameter ≥ 2,2 mm.

Actuation

The push bolt actuator is mainly intended to be actuated along its axis.
Side actuation will considerably reduce switch life.
The switch may not be used as a mechanical stop.

Standards

VDE 0660 T100, DIN EN 60947-1, IEC 60947-1
VDE 0660 T200, DIN EN 60947-5-1, IEC 60947-5-1

EU Conformity

CE

Approvals

cCSA_{US}, UL

Notes

The specified protection classification (IP code) applies only when the cover is closed.