

## Weigh Module



### FEATURES

- Simple installation
- Moveable load point
- Withstands very high lateral forces
- Extremely accurate and rugged

### TECHNICAL DATA

Rated load (R.L.)		kN	50
Combined error (terminal)		% of R.O.	± 0.05
Repeatability		% of R.O.	0.01
Overload	safe	% of R.L.	100*
	ultimate	% of R.L.	200*
Sideload	safe	% of R.L.	100*
	ultimate	% of R.L.	200*
Input Voltage	recommended	V DC or AC	10
	maximum	V DC or AC	18
Input resistance		ohm	350 ± 3
Output resistance		ohm	350 ± 3
Rated output (R.O.)		mV/V	1.020
Tolerance of R.O.		% of R.O.	± 0.25
Zero balance		% of R.O.	± 5
Tolerance of shunt calibration values		% of value**	0.25
Creep at R.L. after 30 minutes		% of R.L.	± 0.04
Temperature range		°C	- 40 to + 80 (+ 100)***
Temperature effect (- 10°C to + 50°C)	on output	% of output/°C	± 0.003
	on zero balance	% of R.O./°C	± 0.003
Insulation resistance at 200 V DC		Gohm	> 4
Material: Load Cell			Stainless steel
Material: Bracket and Yoke			Yellow Chromate steel****
Electrcial connection			10 m shielded four conductor cable
Degree of protection			IP 67

\*Referring to recommended loading case

\*\*See calibration sheet of the load cell

\*\*\*- 40 to + 100°C on demand

\*\*\*\*Stainless steel on demand



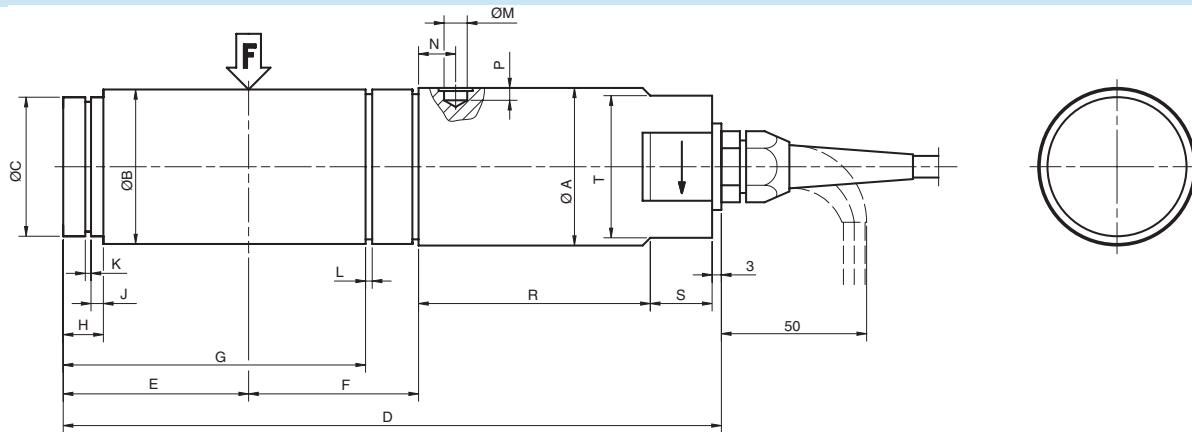
ATEX certified versions for use in explosive atmospheres are available.

II 1GD

EEx ia IIC T4 Tamb = 40°C

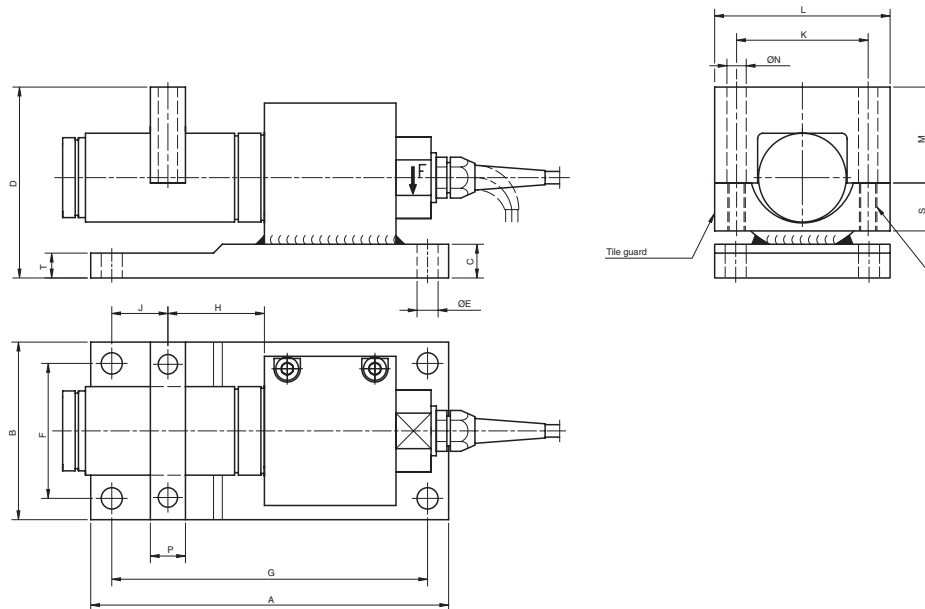
EEx ia IIC T6 Tamb = 60°C

### DIMENSIONS KIS-12 LOAD CELL



RANGE kN	ØA	ØB	ØC	D	E	F	G	H	J	K	L	ØM	N	P	R	S	T
50	77	75	70	291	93	65	141.3	12	5	2.65	2.65	9.1	14	7	110	20	60

### DIMENSIONS KIS-12 MODULE



RANGE kN	A	B	C	D	ØE	F	G	H	J	K	L	M	ØN	P	T	R	S
50	280	150	30	152	16	155	245	65	45.5	115	150	72	18	30	30	M16	43