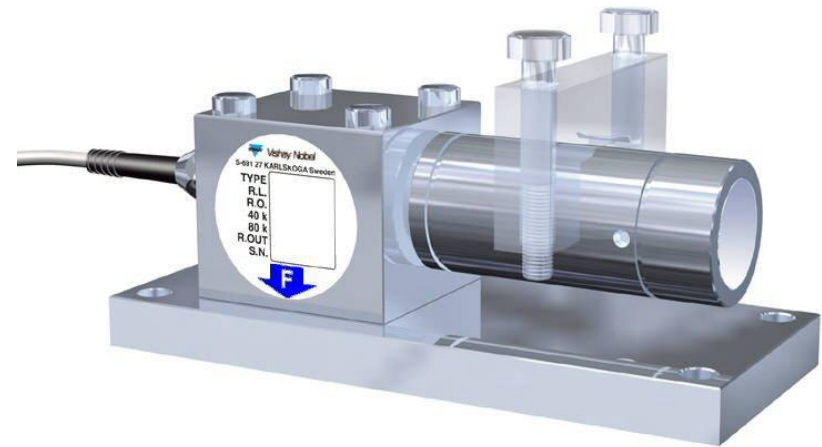
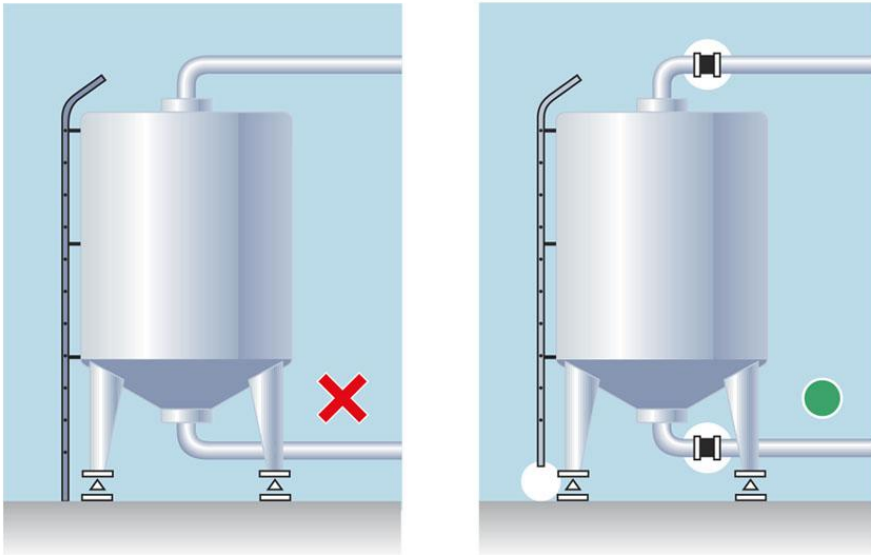
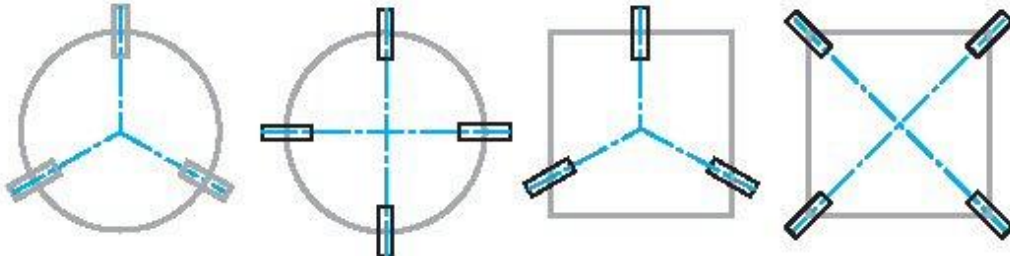


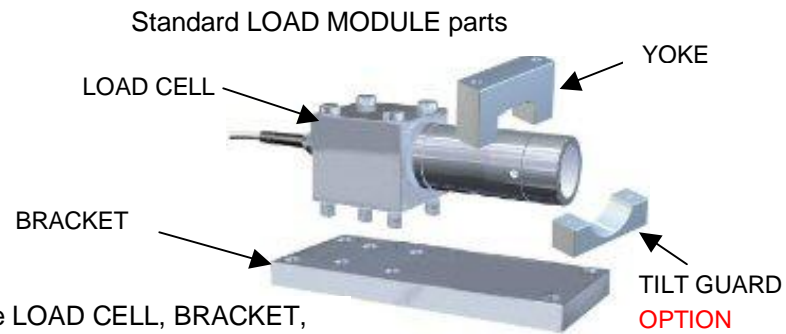
Advices for mounting KIS 8

Example of LOAD MODULE orientation



To achieve good weighing results, always use flexible connections to the vessel and check that no ladders or other arrangements connect the weighed vessel to surrounding foundation, walls or roof.

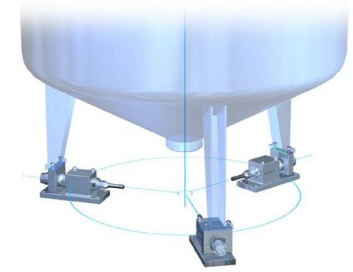
1



Assemble LOAD CELL, BRACKET, and YOKE to one LOAD MODULE.

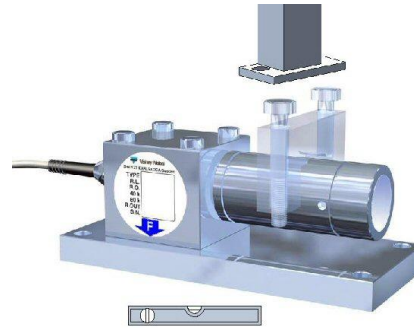
5

Mark the hole pattern and drill. Mount the bolts; re-position the LOAD MODULES and the vessel.



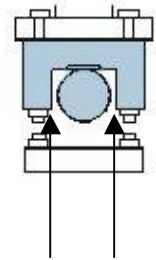
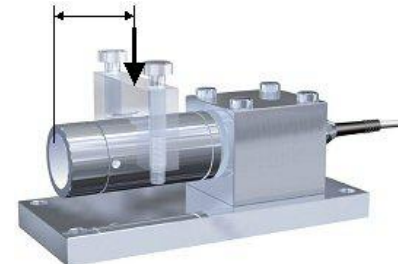
2

Attach YOKES under the vessel supports and position the vessel on the LOAD MODULES. Observe that the bedding should be horizontal. The load module cables should face the centre of the vessel.



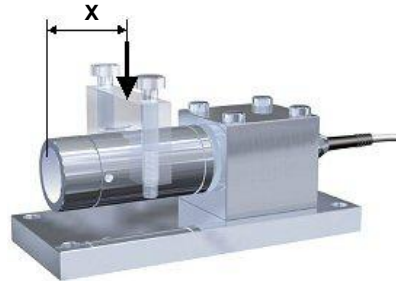
6

Check again measure x and the lateral play between YOKE and LOAD CELL.



3

Recommended loading point

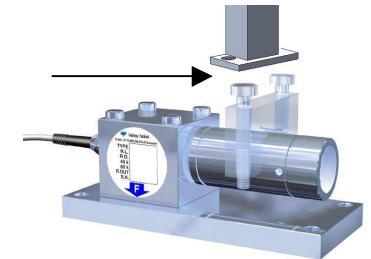


kN	x (mm)
1 kN	37
2 kN	37
5 kN	65
10 kN	65
20 kN	65
50 kN	84
100 kN	105
200 kN	128

Check measure x .

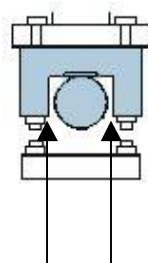
7

For installations with four LOAD MODULES or more, the LOAD MODULE output signals should be checked. Add shims between vessel support and YOKE to achieve similar signal levels.



4

Check that there is a lateral play between YOKE and LOAD CELL.



8

Important notice:

Do not perform any welding with the LOAD MODULE in place.