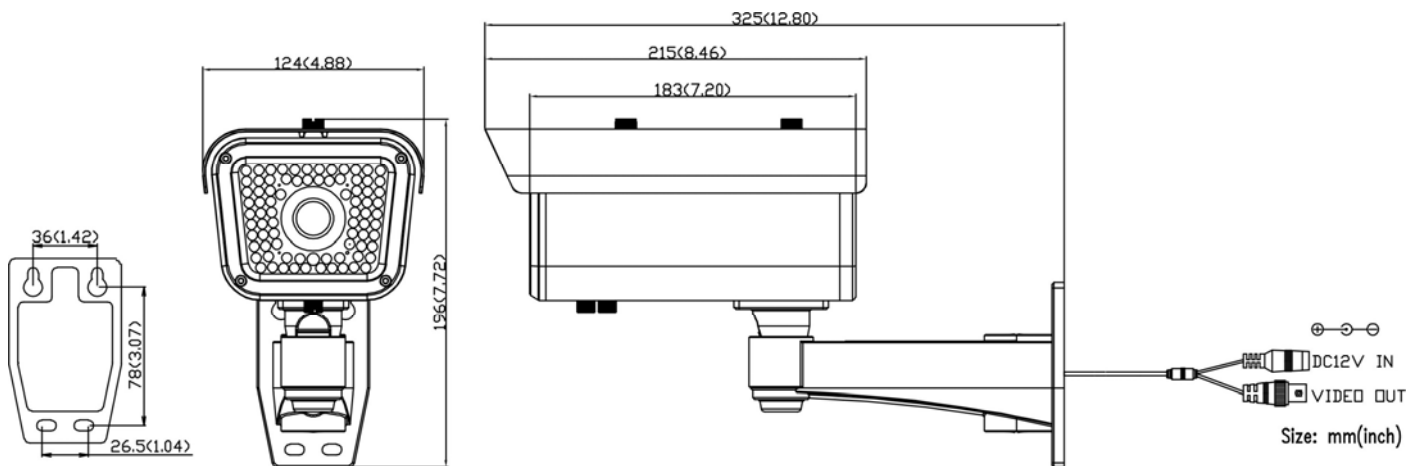


CIR-UW34WP

Number Plate Capture Camera



## ● FEATURES

1. 550TVL, 1/3" 760H CCD
2. 9~22mm Varifocal Auto Iris Lens
3. Constant Current Circuit Design to make sure the life span of IR LED
4. Viewing Angle: 14°~32°
5. Available Distance: 2~15M
6. Designed for Toll gate and Parking Barrier
7. Clearly Capture the License Plate of Vehicles Traveling Speed less than 45km/h

**Remark: Non-regulative adaptor may cause camera damaged.**

## ● ACCESSORIES

Camera.....	X1
User Manual.....	X1
Screw.....	X4
Plastic-Conical-Anchor.....	X4
Hexagonal Wrench.....	X1
Adaptor.....	X1
DC Connector.....	X1

## ● SPECIFICATION

Item	CIR-UW34WP
IP rating	IP66
Filter	Five layers Filter
Image Sensor	1/3" 760H CCD
Pixels	NTSC:811(H)×508(V) PAL:795(H)×596(V)
Horizontal Resolution	550TVL
IR LED	80PCs Special IR LED
Vertical frequency	NTSC:60Hz PAL:50Hz
Horizontal Frequency	NTSC:15.734KHz PAL:15.625KHz
Clock Frequency	NTSC:28.636MHz PAL:28.375MHz
Scanning System	2:1 Interlace
S / N Ratio	≥50dB
Electronic Shutter	Fixed
White Balance	Auto Tracking
Back Light Compensation	ON
Auto Gain Control	ON
Gamma	0.45
Video Output	1V p-p,75Ω
Lens	9~22mm Varifocal Auto Iris Lens
Viewing Angle	Horizontal:17°
Power Supply	DC12V±10%
Current Consumption	200mA
Available IR Distance	2~15M(6.56~49.18ft)
Dimension	325×196×124mm(0.83x0.61x0.34ft)
Weight	1920g
Storage Temperature	-30~+60℃ (-22~+140°F)
Operating Temperature	-30~+40℃ (-22~+104°F)

## ● PACKAGE

Weight .....1960g  
 Dimension ..... 325×196×124mm  
 Quantity per carton .....6PCs  
 Dimension of carton.....510×370×570mm  
 Weight of carton.....16.5KGs