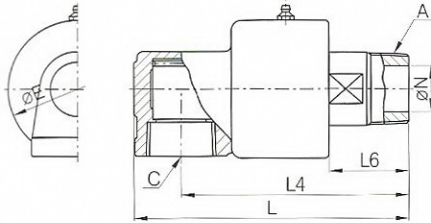
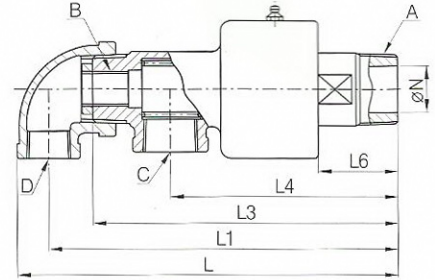


2200 SERIES KJC ROTARY JOINT

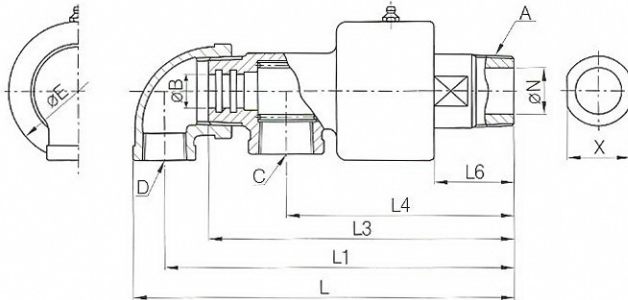
KR2211
KR2212



KR2201
KR2202



KR2221
KR2222



(Unit : mm)

Model No.	A (PT)	B	C (PT)	D (PT)	E	L	L1	L3	L4	L6	N	X	Wt (kg)
KR2211-6A (KR2212-6A)	1/8" RH (LH)		1/4"		40	78			67	23	5	14	0.5
KR2211-8A (KR2212-8A)	1/4" RH (LH)		1/4"		40	78			67	23	5	14	0.5
KR2211-10A (KR2312-10A)	3/8" RH (LH)		3/8"		42	93			76	26	9.5	17	0.4
KR2211-15A (KR2212-15A)	1/2" RH (LH)		1/2"		51	114			96.5	35	13	21	0.65
KR2201-15A (KR2202-15A)	1/2" RH (LH)	PF 1/8"	1/2"	1/2"	51	162	147	129	96.5	35	13	21	0.8
KR2221-15A (KR2222-15A)	1/2" RH (LH)	Ø9	1/2"	1/2"	51	162	147	129	96.5	35	13	21	0.8
KR2211-20A (KR2212-20A)	3/4" RH (LH)		3/4"		56	122			101.5	38	17	26	0.83
KR2201-20A (KR2202-20A)	3/4" RH (LH)	PF 1/4"	1/2"	1/2"	56	168	153	134	101.5	38	17	26	1
KR2221-20A (KR2222-20A)	3/4" RH (LH)	Ø9, Ø13	1/2"	1/2"	56	168	153	134	101.5	38	17	26	1
KR2211-25A (KR2212-25A)	1" RH (LH)		1"		66	131			108.5	38	22	30	1.2
KR2201-25A (KR2202-25A)	1" RH (LH)	PF 3/8"	3/4"	1/2"	66	182	166.5	145.5	108.5	38	22	30	1.5
KR2221-25A (KR2222-25A)	1" RH (LH)	Ø13, Ø16	3/4"	1/2"	66	182	166.5	145.5	108.5	38	22	30	1.5
KR2211-32A (KR2212-32A)	1 1/4" RH (LH)		1 1/2"		88	173			138	46	30	46	2.7
KR2201-32A (KR2202-32A)	1 1/4" RH (LH)	PF 1/2"	1"	3/4"	88	234	215	192	138	46	30	46	3.1
KR2221-32A (KR2222-32A)	1 1/4" RH (LH)	Ø20	1"	3/4"	88	234	215	192	138	46	30	46	3.1
KR2211-40A (KR2212-40A)	1 1/2" RH (LH)		1 1/2"		88	173			138	46	35	46	2.6
KR2201-40A (KR2202-40A)	1 1/2" RH (LH)	PF 3/4"	1"	3/4"	88	234	215	192	138	46	35	46	3.0
KR2221-40A (KR2222-40A)	1 1/2" RH (LH)	Ø20, Ø26	1"	3/4"	88	234	215	192	138	46	35	46	3.0
KR2211-50A (KR2212-50A)	2" RH (LH)		2"		106	206			168	58	48	60	5
KR2201-50A (KR2202-50A)	2" RH (LH)	PF 1"	1 1/2"	1"	106	280	256	228	160	58	48	60	5.5
KR2221-50A (KR2222-50A)	2" RH (LH)	Ø26, Ø32	1 1/2"	1"	106	280	256	228	160	58	48	60	5.5
KR2211-65A (KR2212-65A)	2 1/2" RH (LH)		2 1/2"		127	240			191	64	60	75	9
KR2201-65A (KR2202-65A)	2 1/2" RH (LH)	PF 1 1/4"	2"	1 1/2"	127	336	306	271	194	64	60	75	10.4
KR2221-65A (KR2222-65A)	2 1/2" RH (LH)	Ø32, Ø40, Ø48	2"	1 1/2"	127	336	306	271	194	64	60	75	10.4
KR2211-80A (KR2212-80A)	3" RH (LH)		3"		145	278			224	75	70	89	14.5
KR2201-80A (KR2202-80A)	3" RH (LH)	PF 1 1/2"	2"	1 1/2"	145	337	309	285	212	75	70	89	13
KR2221-80A (KR2222-80A)	3" RH (LH)	Ø48	2"	1 1/2"	145	337	309	285	212	75	70	89	13