

Forward Curved Fan

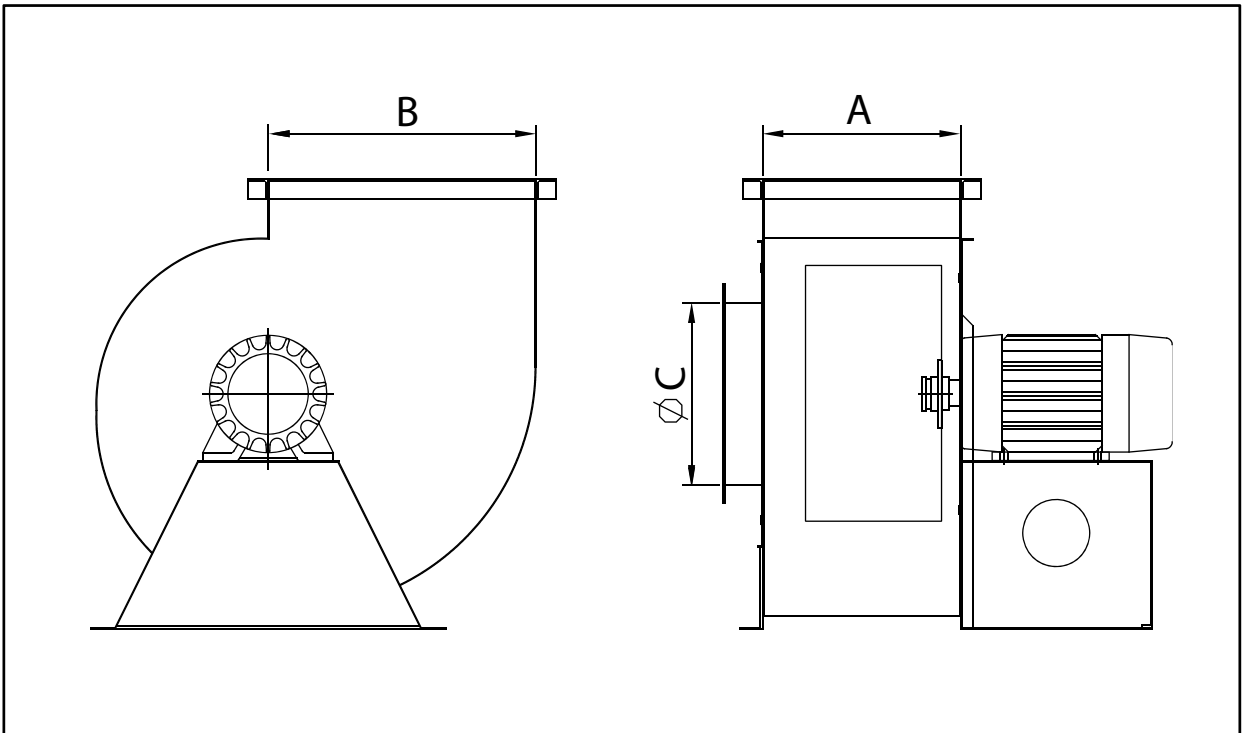
- Housing materials: Steel, Galvanized sheet or Stainless steel
- Impeller materials: Steel, Galvanized sheet or Stainless steel

Applications:

- Removing smoke and odor from the kitchen
- Extracting dust and particulate matter from factory air



Forward Curved Fan (Direct motor) Type AV-Axxx



TYPE	MOTOR			CAPACITY		STATIC PRESSURE	
	kW	RPM	V	CMS	CMM	Pa	mm.Aq.
AV-A108	0.25	1440	220	0.166	10	191	19
AV-A110	0.40	1440	220	0.277	17	260	27
AV-A112	0.75	1430	220	0.640	38	385	39
AV-A115	1.5	930	380	1.100	66	305	31
AV-A118	2.2	950	380	1.400	84	480	49

HP (Horse Power) is unit for use a temple is ofing a motor (1 HP = 0.746 kW)

