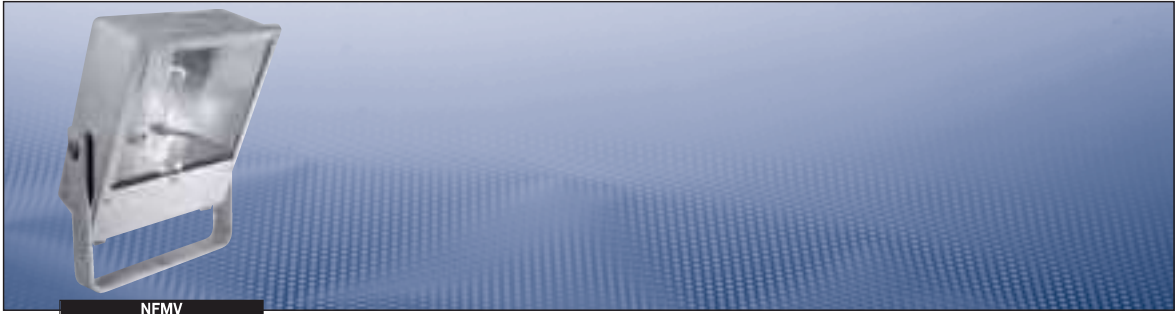
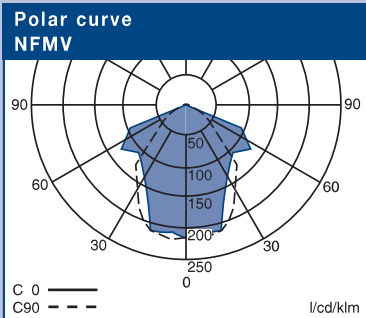
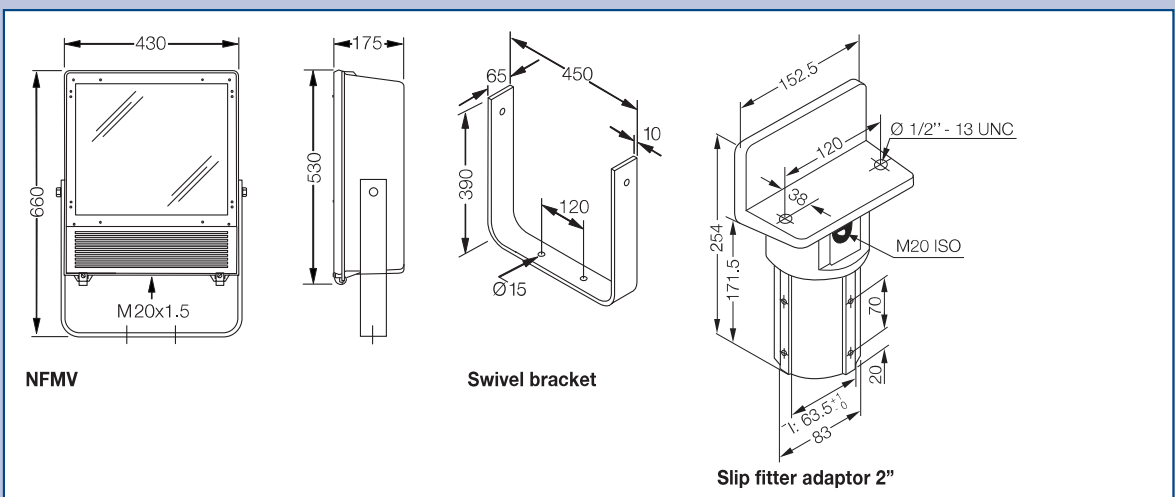


Ex-Floodlight



NFMV

Dimensions drawing



Dimensions in mm