

Ex-Portable outlet distribution: 16A 3-pole, 5-pole



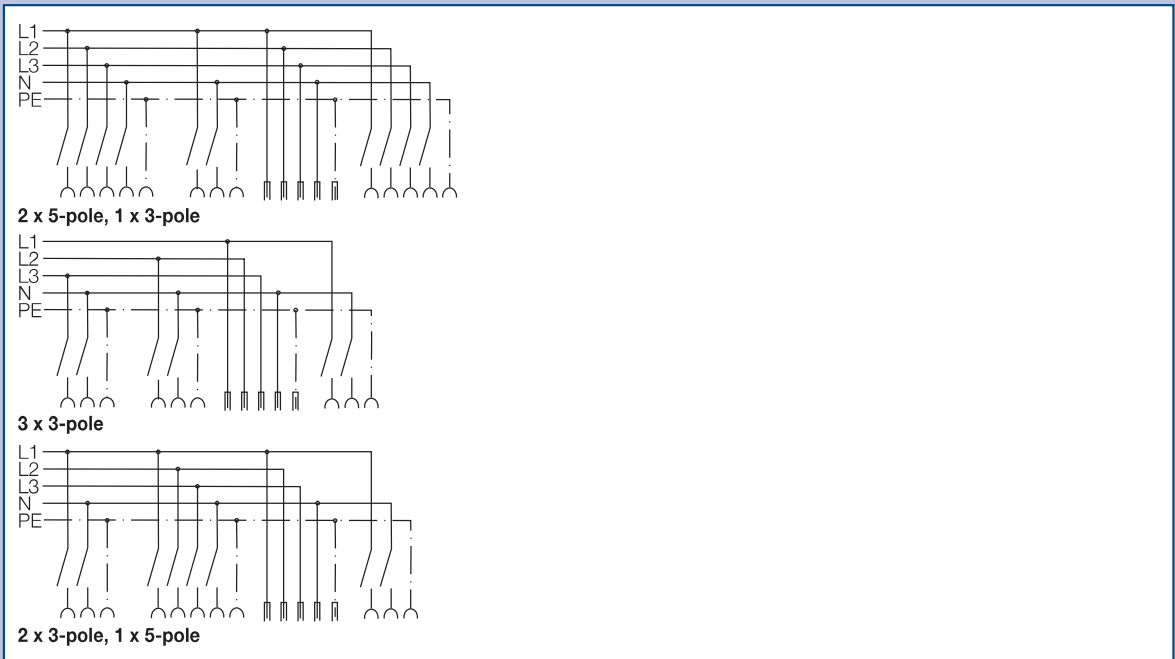
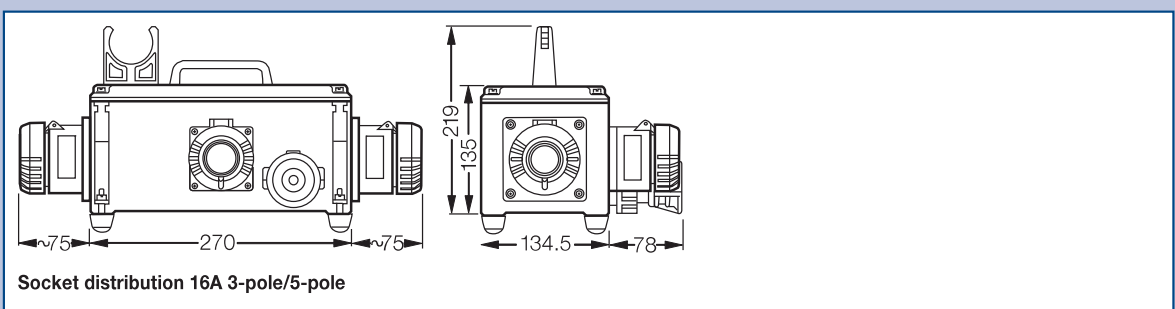
Ordering details

Design	Version	Order No.
Type design with 2 m connecting cable		
2 x socket 16 A	3-pole	
1 x socket 16 A	5-pole	GHG 931 0003 R0011
1 x socket 16 A	3-pole	
2 x socket 16 A	5-pole	GHG 931 0003 R0012
3 x socket 16 A	3-pole	GHG 931 0003 R0013

Type design with 5 m connecting cable		
2 x socket 16 A	3-pole	
1 x socket 16 A	5-pole	GHG 931 0003 R0021
1 x socket 16 A	3-pole	
2 x socket 16 A	5-pole	GHG 931 0003 R0022
3 x socket 16 A	3-pole	GHG 931 0003 R0023

Other configurations on request.

Dimension drawing | Wiring diagram



Dimensions in mm