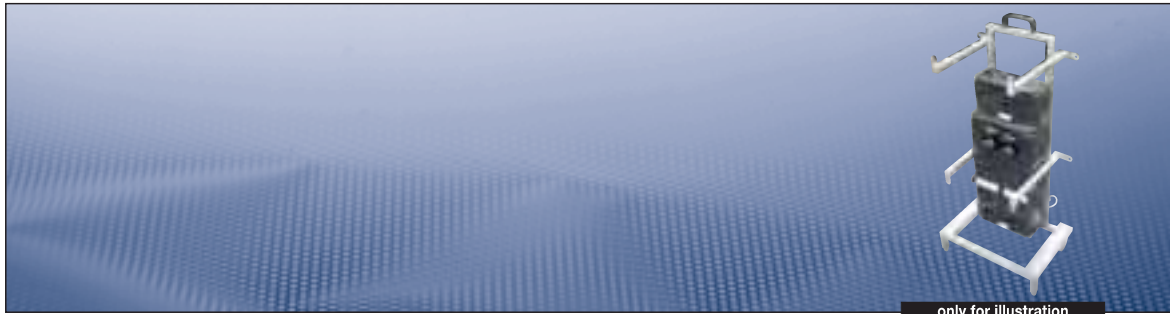


Ex-protected portable power supply units



Technical data

Ex-protected portable power supply EXKO 233201 A0014

Marking accd. to 94/9/EC	Ⓔ II 2 G Ex de IIC T4
EC-Type Examination Certificate	PTB 99 ATEX 1044
Permissible ambient temperature	-20 °C up to +40 °C
Rated voltage	230/42 V transformer, 550 VA
Rated current	16 A
Frequency	50 - 60 Hz
External back up fuse	16 A gL / gG
Insulation class	I
Degree of protection accd. to IEC 60529	IP65
Cable glands	1 x M25 trumpet shaped cable gland, 1 x M12 cable gland plastic
Anschlusskabel	H07RN-F 3 x 1,5 mm ² with plug 16A, 3 m
Enclosure material	glass-fibre reinforced polyester (option sheet steel, painted oder stainless steel AISI 316L) wall socket: glass-fibre reinforced polyester, plug: polyamide
Dimensions (H x W x D)	metal frame stainless steel squared 20 x 20 x 2 with wheels 1062 x 500 x 336 mm
Weight	40 kg
Enclosure colour	black

Ordering details

Components	Components external	Order No.
1 x MCB S202P - K3A, 10kA	2 x receptacle 16 A 2-pole, 42 V (GHG5420007R0002)	
1 x MCB S202M - C10A, 10kA	1 x plug 16 A 3-pole, 230 V 06 h (GHG5117306R0001)	
1 x transformer 230/42V 550VA	actuating flap for components	EXKO 233201 A0014

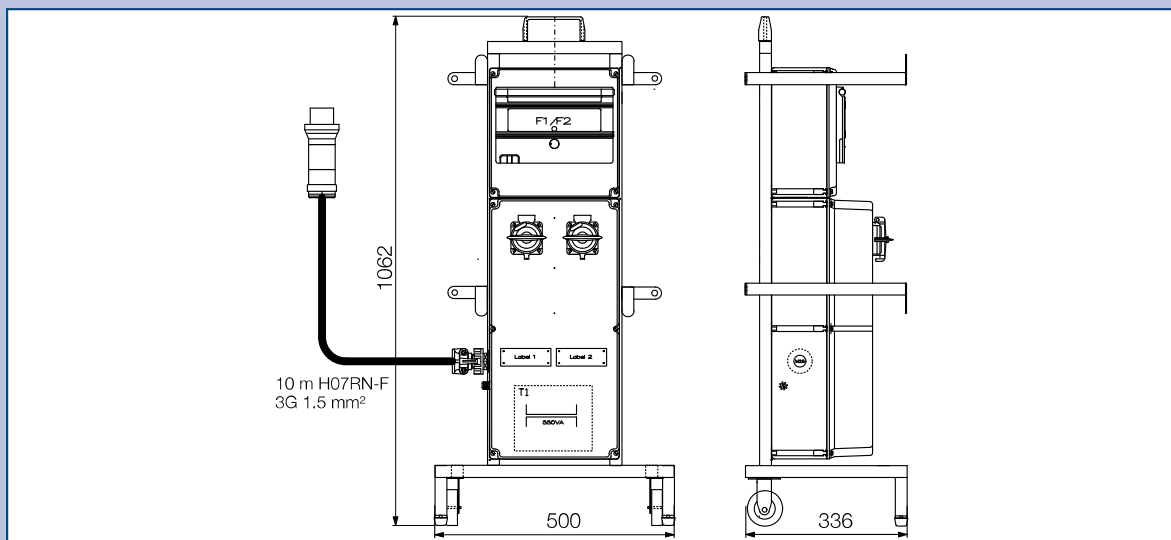
Option:

padlock facility for enclosure cover

Enclosure material sheet steel, painted oder stainless steel AISI 316L

Customized solution for connection cable, plugs & sockets and rated voltage

Dimension drawing



Dimensions in mm