

EXKO 233201 A0021

Technical data

Ex-protected portable power supply EXKO 233201 A0021

Marking accd. to 94/9/EC	II 2 G Ex de IIC T4 / II 2 D IP65 T95°C
EC-Type Examination Certificate	PTB 99 ATEX 1044
Permissible ambient temperature	-20 °C up to +40 °C
Rated voltage	207 V / 120 V
Rated current	32 A
Frequency	50 Hz
External back up fuse	63 A gL / gG
Insulation class	I
Degree of protection accd. to IEC 60529	IP65
Cable glands	1x M40 trumpet shaped cable gland, 1x M12 cable gland plastic
Anschlusskabel	H07RN-F 5 x 10 mm <sup>2</sup> without plug, 10 m
Enclosure material	glass-fibre reinforced polyester, metal plate AISI 304L
	wall socket: glass-fibre reinforced polyester, plug: polyamide
Dimensions (H x W x D)	metal frame 378 x 594 x 213 mm
Weight	25 kg
Enclosure colour	black

Ordering details

Components	Components external	Order No.
1 x MCB S202M - C32A, 10kA	3 x wall socket 16A 3-pole, 120V (04h) (GHG5118304R0001)	EXKO 233201 A0021
3 x MCB / RCD DS971 - C16A 0,03A, 6kA	actuating flap for components	

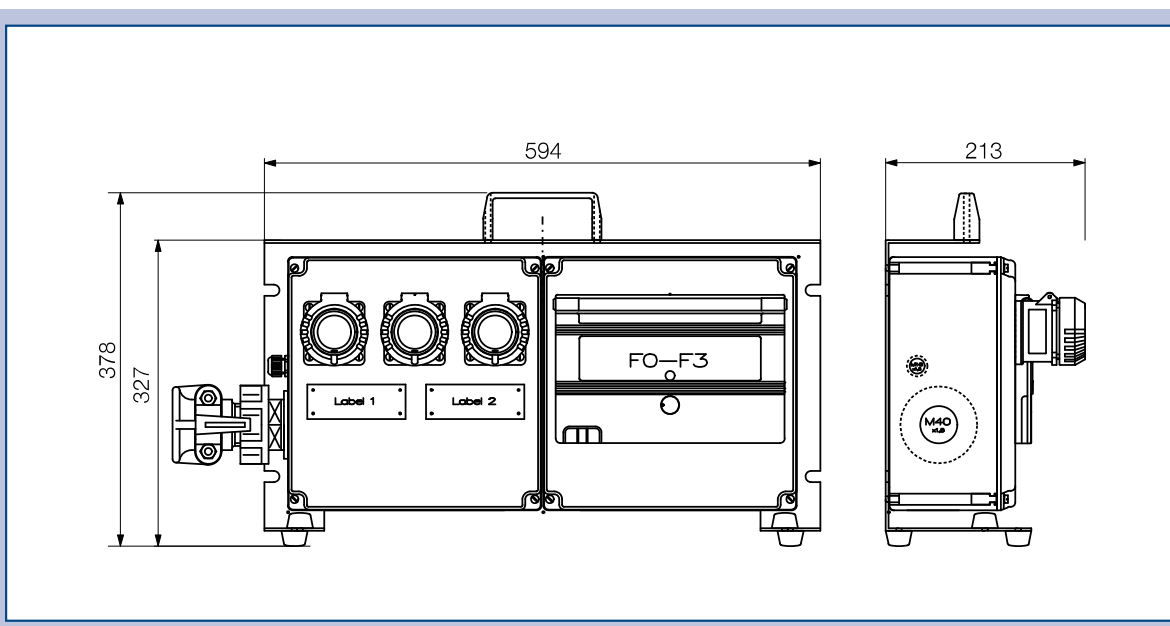
Option:

padlock facility for enclosure cover

Enclosure material sheet steel, painted oder stainless steel AISI 316L

Customized solution for connection cable, plugs & sockets and rated voltage

Dimension drawing



Dimensions in mm