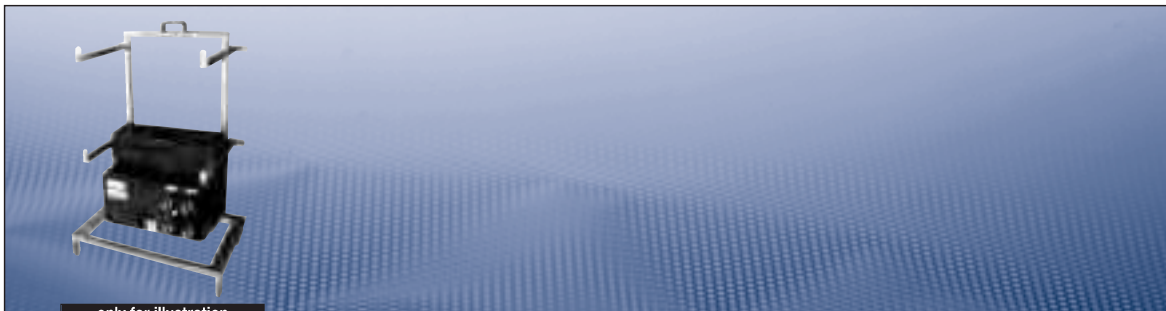


Ex-protected portable power supply units



Technical data

Ex-protected portable power supply EXKO 233201 A0007

Marking accd. to 94/9/EC	II 2 G Ex de IIC T4
EC-Type Examination Certificate	PTB 99 ATEX 1044
Permissible ambient temperature	-20 °C up to +40 °C
Rated voltage	110/24 V transformer, 550 VA
Rated current	16 A
Frequency	50 Hz
External back up fuse	25A gL / gG
Insulation class	I
Degree of protection accd. to IEC 60529	IP65
Cable glands	1 x M25 trumpet shaped cable gland, 1 x M12 cable gland plastic
Enclosure material	glass-fibre reinforced polyester (option sheet steel, painted oder stainless steel AISI 316L) wall socket: glass-fibre reinforced polyester, plug: polyamide
Dimensions (H x W x D)	metal frame stainless steel squared 20 x 20 x 2 with wheels 1062 x 774 x 336 mm
Weight	44 kg
Enclosure colour	black

Ordering details

Components	Components external	Order No.
1x MCB S202P - K6A, 10kA	1x receptacle 16A 3-pole, 110V (GHG5118304R0001)	
2x MCB S202M - C16A, 10kA	2x receptacle 16A 2pole, 24V (GHG5420007R0004)	
1x transformer 110/24V 550VA	actuating flap for components	EXKO 233201 A0007

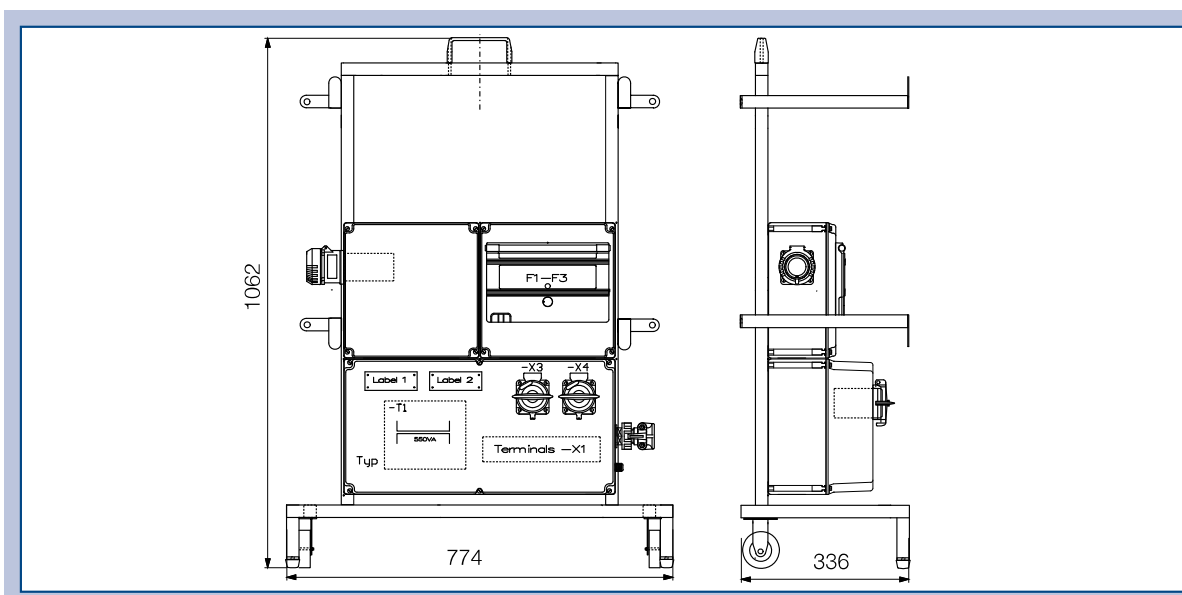
Option:

padlock facility for enclosure cover

Enclosure material sheet steel, painted oder stainless steel AISI 316L

Customized solution for connection cable, plugs & sockets and rated voltage

Dimension drawing



Dimensions in mm