

## Ex-e/Ex-i terminal box



GHG 744 0101 R0005

Type 745 02

GHG 745 0201 R0012

## Accessories

### Mounting plate for junction box 744 01

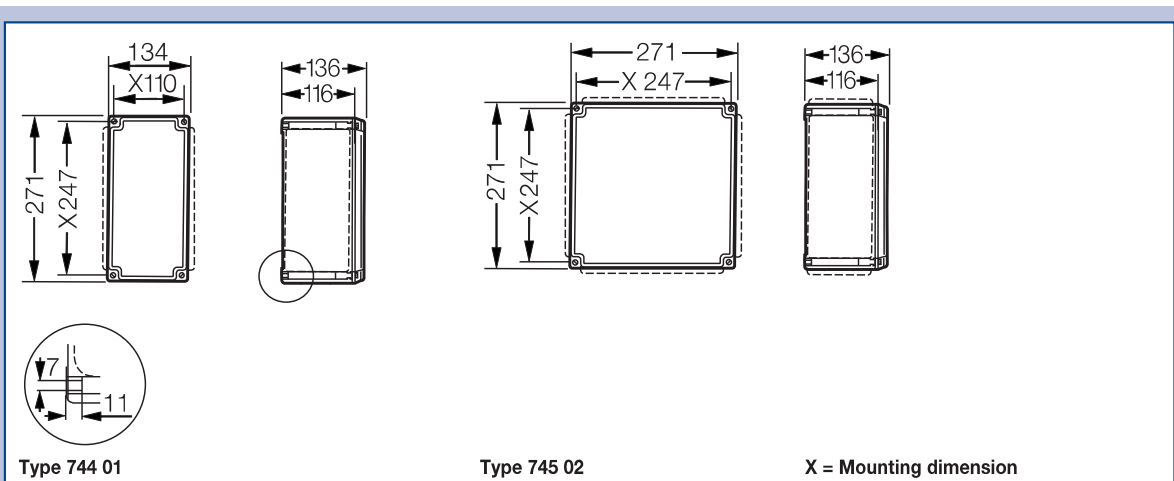
Type	Application	Fixing method	Order No.
Size 3	Wall mounting	screw mounting	GHG 610 1953 R0107
Size 3	Trellis mounting	screw mounting	GHG 610 1953 R0109
Size 3	Pipe mounting	screw mounting	GHG 610 1953 R0108
Protective canopy Size 3	for mounting plate size 3		GHG 610 1955 R0104

### Mounting plate for junction box 745 02

Type	Application	Fixing method	Order No.
Size 3	Pipe mounting	screw mounting on 2 plates	GHG 610 1953 R0108
Protective canopy Size 3	for mounting plate size 3		GHG 610 1955 R0104

Details for accessories see page 7.78 pp.

## Dimension drawing



Dimensions in mm