

Accessories

Mounting plate for junction box 721 00

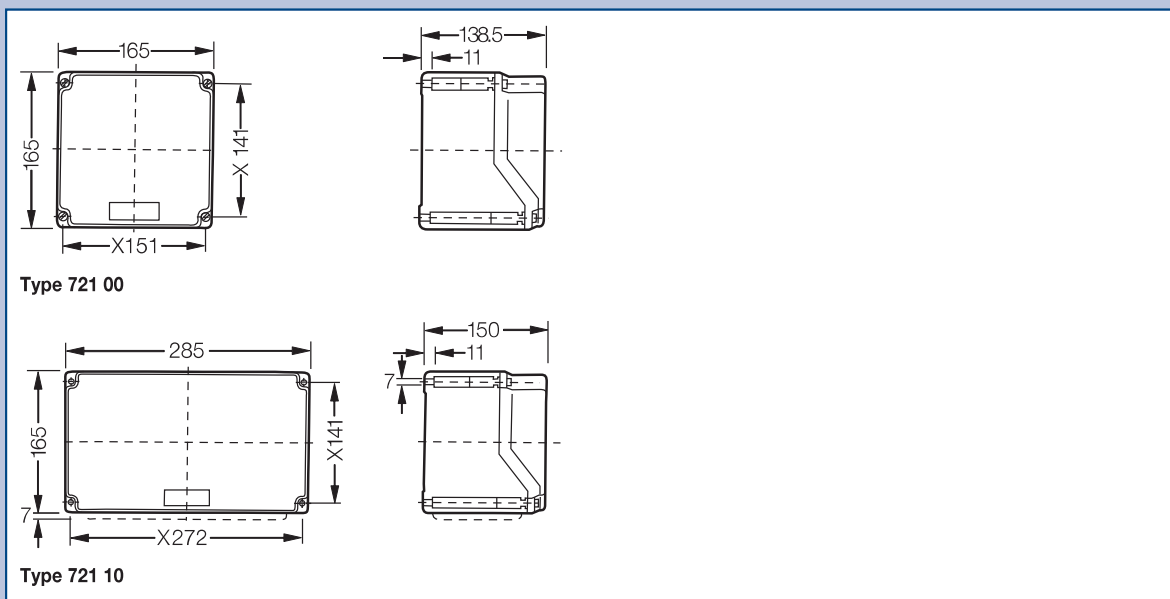
Type	Application	Fixing method	Order No.
Size 2A	Wall mounting	screwless mounting	GHG 610 1953 R0107
Size 2A	Trellis mounting	screwless mounting	GHG 610 1953 R0109
Size 2A	Pipe mounting	screwless mounting	GHG 610 1953 R0108
Protective canopy Size 2A	for mounting plate size 2A		GHG 610 1955 R0103

Mounting plate for junction box 721 10

Type	Application	Fixing method	Order No.
Size 3	Wall mounting	screwless mounting	GHG 610 1953 R0107
Size 3	Trellis mounting	screwless mounting	GHG 610 1953 R0109
Size 3	Pipe mounting	screwless mounting	GHG 610 1953 R0108
Protective canopy Size 3	for mounting plate size 3		GHG 610 1955 R0104

Details for accessories see page 7.78

Dimension drawing



Dimensions in mm