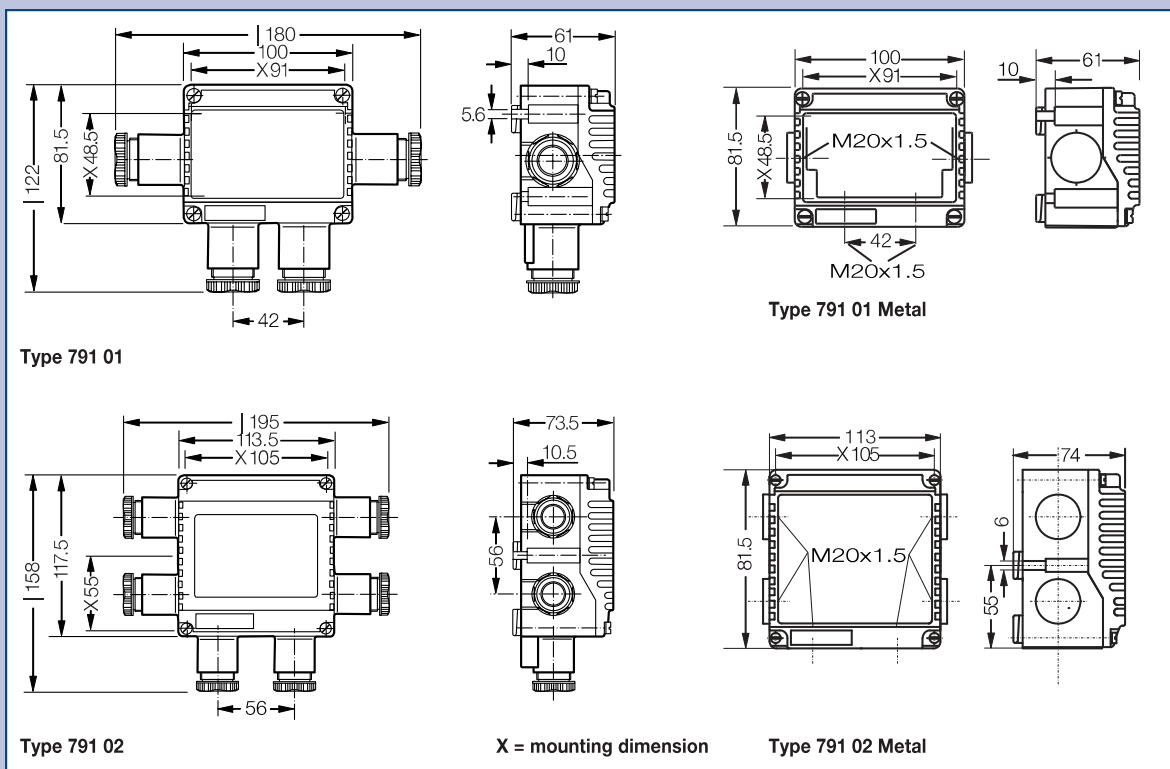


Dimension drawing



Dimensions in mm