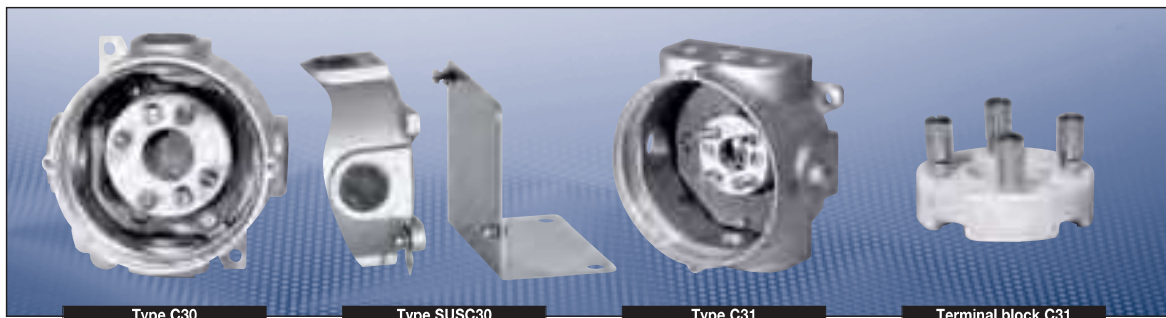


Ex-d terminal box



Ordering details

Type	Thread ISO 7/1 ¹⁾	Order No.
Type C30		
C30 T1	3 x 1/2"	NOR 000 001 151 181
C30 T2	3 x 3/4"	NOR 000 001 151 199
C30 X1	4 x 1/2"	NOR 000 001 151 206
C30 X2	4 x 3/4"	NOR 000 001 151 214
Type C31		
C31 T1	3 x 1/2"	NOR 000 111 150 001
C31 T2	3 x 3/4"	NOR 000 111 150 002
C31 T3	3 x 1"	NOR 000 111 150 003
C31 X1	4 x 1/2"	NOR 000 111 150 004
C31 X2	4 x 3/4"	NOR 000 111 150 005
C31 X3	4 x 1"	NOR 000 111 150 006

Accessories

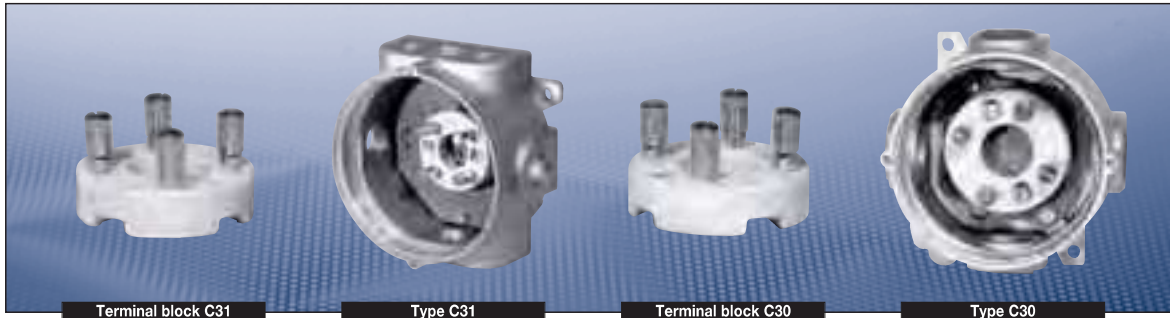
Build-in components type C30			
Type	Version	No. of terminals	Order No.
BC 30	Mounting plate with pillar terminals 4 x 4 mm ²	4 x Ex-e ²⁾	NOR 000 001 151 222
PBPD 30	Terminal rail DIN 46877	Mounting rail	NOR 000 000 115 314
PC 30	Mounting plate without terminals	-	NOR 000 000 115 302

Mounting angel for housing fixing type C30	
Type	Order No.
SUSC 30	NOR 000 000 115 311

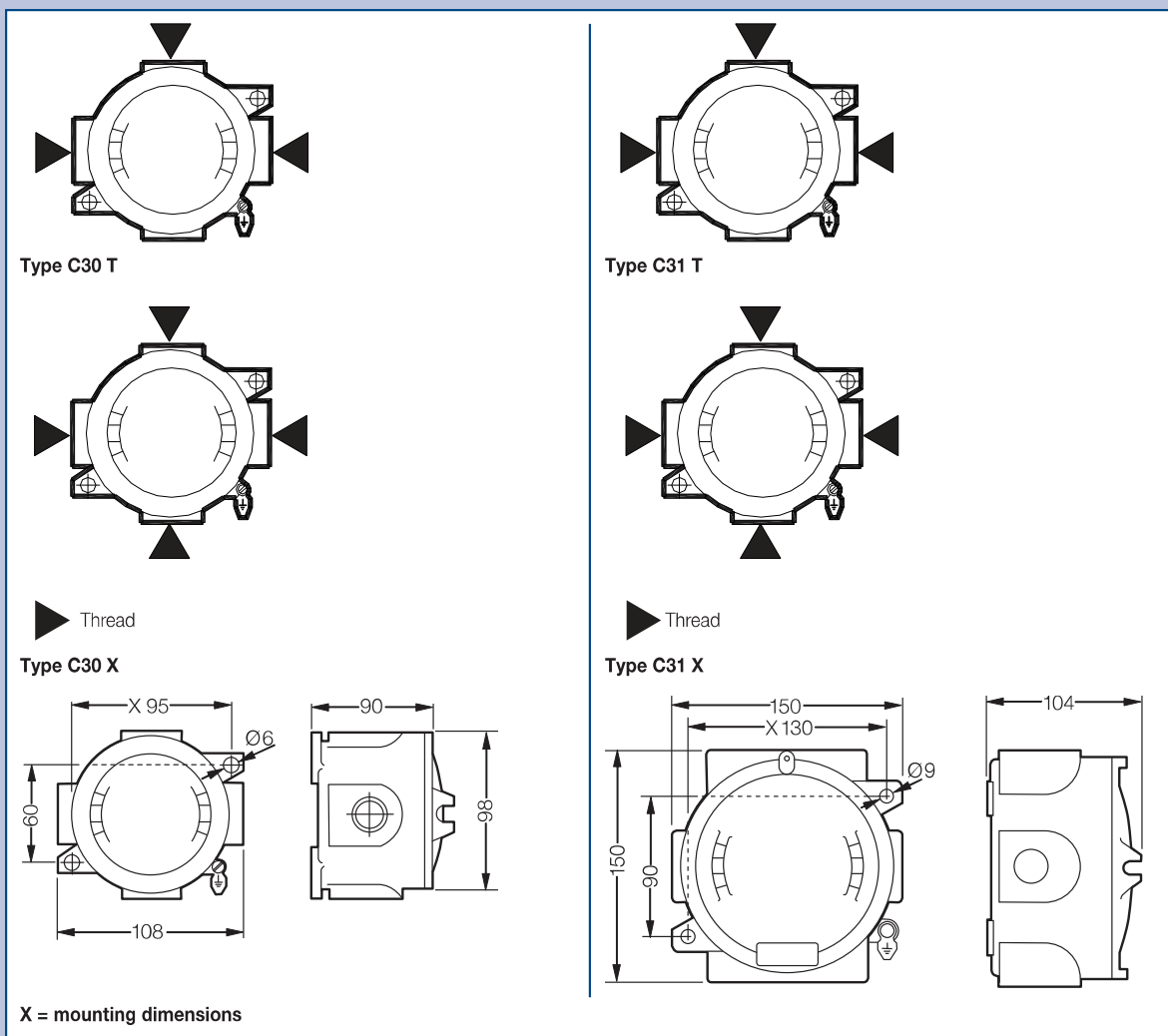
Build-in components type C31			
Type	Version	No. of terminals	Order No.
BC31	Mounting plate with pillar terminals	4 x 4 mm ² ²⁾	NOR 000 111 150 009
P C31	Mounting plate without terminals	-	NOR 000 000 115 306
PBPD 31	Terminal rail DIN 46877	-	NOR 000 000 115 015

¹⁾ Other threads on request

²⁾ 4 x 4 mm² multi-wire or 2 x 6 mm² solid



Dimension drawing



Dimensions in mm

1
2
3
4
5
6
7
8
9
10
11
12