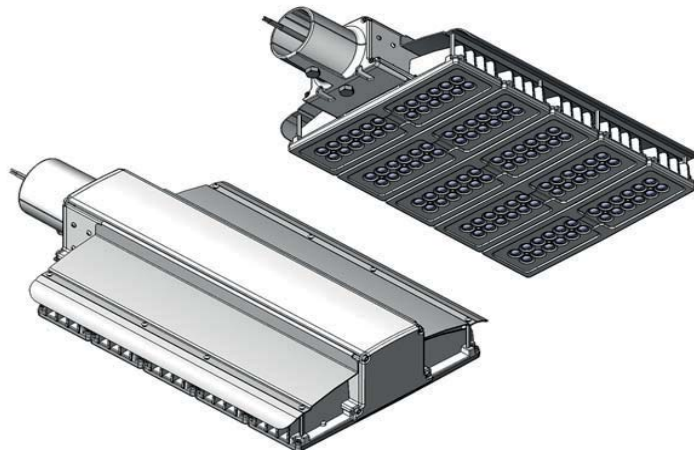


LED STREET LIGHT MODULARIZED 200W



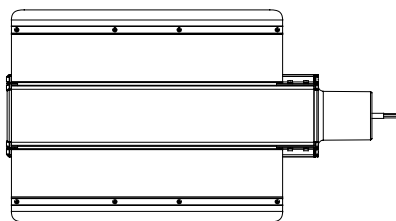
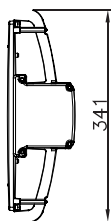
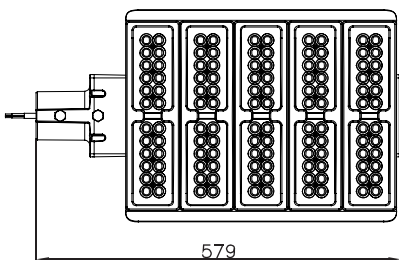
Application

Outdoor
Street lighting, park lighting and surrounding areas

Features

- Suitable for Over 10m pole height
- Unique modular design
- Four different optical pattern, including type I, medium, type II medium, type II short and type V short, all meet IESNA cutoff classification.
- Switching mode and multi-channel constant current design for LED
- High power factor design(>0.9)
- Over-heat and over-voltage protection designs and self-thermal compensation
- IP65 ingress protection

DIMENSION

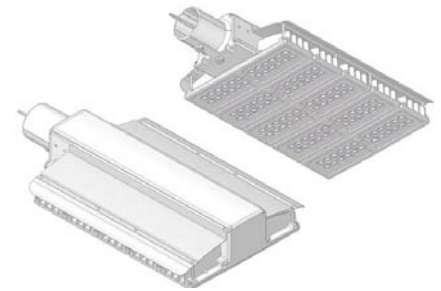


Unit: mm



SPECIFICATION

Parameter	Specification	Units
Power Consumption	200 ±10%	W
Input Voltage	100 ~ 240, 50/60Hz	VAC
Power Factor	>0.9 @220VAC	--
Efficacy	65	lm/W
Operation Temperature	-30 ~ 50	°C
IP Rating	65	--
Housing	Aluminum alloy	mm.
Weight	9.07	kg.
Hole Size	Ø65	mm.



ILLUMINANCE AND FIELD ANGLE

Product Code	Power Consumption	Roadway Classification	Field Angle	Flux(lm)[Typ.]	Color	CCT
30STH00200AC145W	200 W	Type I, Medium, Cutoff	145°	13,000	Cool White	6,500K
30STH00200AC140W		Type II, Short, Cutoff	140°	13,000	Cool White	6,500K
30STH00200AC135W		Type II, Medium, Cutoff	135°	13,000	Cool White	6,500K
30STH00200AC120W		Type V, Short, Cutoff	120°	13,000	Cool White	6,500K

PHOTOMETRIC

