

LED PROJECT LIGHT MODULARIZED 108W



Application

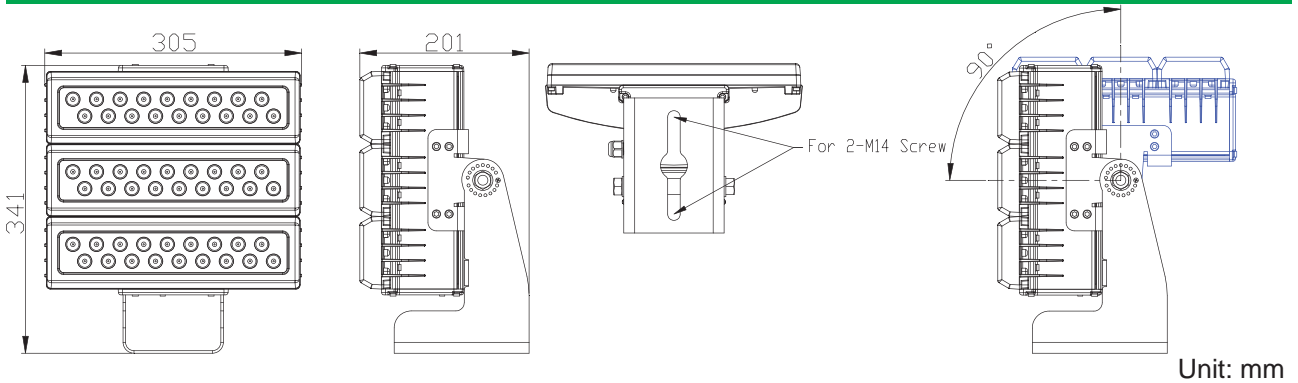
Area: Outdoor / Indoor

Purpose: Architectural lighting, Project lighting

Features

- Modularized design
- Narrow beam angle features precise aiming capabilities
- Integral power supply for 100~240Vac input
- LED modules driving by low-voltage DC without safety risk
- Switching mode and multi-channel constant current design
- High power factor design(>0.9)
- IP65 ingress protection
- Long life and save maintenance cost

DIMENSION



Note: the luminaire power cable is 5m length.

INSTALLATION GUIDE

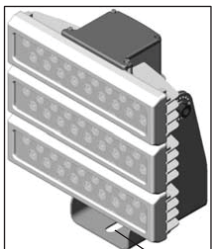


Fig. 1 Fix Holder Metal screw

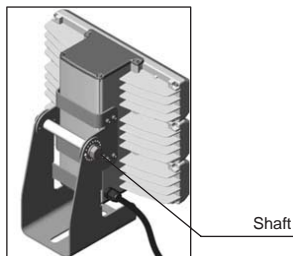


Fig. 2 Release-Adjust-Fix Shaft

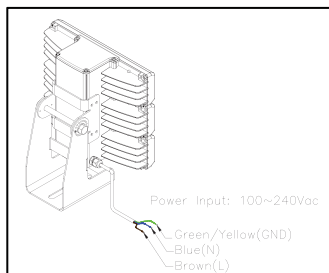


Fig. 3 Wire Connection

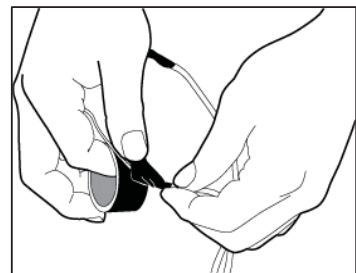
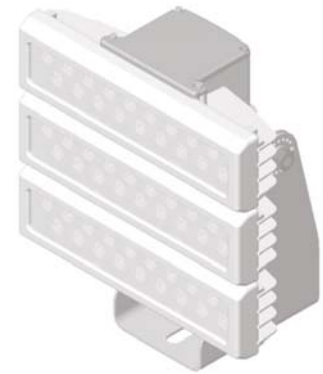


Fig. 4 Wrap waterproof tape

SPECIFICATION

| Parameter | Specification | Units |
|-----------------------|---------------------|-------|
| Power Consumption | 108 @12Vdc | W |
| LEDs | 54ea High Power LED | -- |
| Input Voltage | 12 | Vdc |
| Operation Temperature | -30° ~ 50° | °C |
| IP Rating | 65 | -- |
| Housing | Aluminum alloy | mm. |
| Weight | 7.9 | kg. |

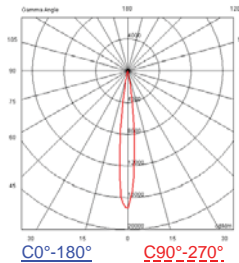


ILLUMINANCE AND FIELD ANGLE


| Product Code | Power Consumption | Field Angle | Flux(lm)[Typ.] | Color | CCT |
|------------------|-------------------|-------------|----------------|------------|--------|
| 30PJ000108GC010W | 108 W | 10° | 5,250 | Cool White | 6,000K |
| 30PJ000108GW010W | | 10° | 3,690 | Warm White | 3,000K |
| 30PJ000108GC030W | | 30° | 5,250 | Cool White | 6,000K |
| 30PJ000108GW030W | | 30° | 3,690 | Warm White | 3,000K |
| 30PJ000108GC300W | | 10°x30° | 5,250 | Cool White | 6,000K |
| 30PJ000108GW300W | | 10°x30° | 3,690 | Warm White | 3,000K |

PHOTOMETRIC

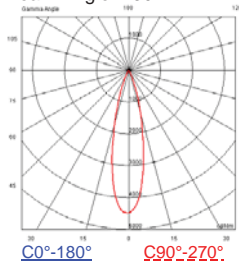
Beam Angle = 10°




Center Beam Lux

| | Cool White | Warm White | Beam Width 10° |
|-----|------------|------------|---|
| 5m | 4,140 lx | 2,895 lx |  |
| 10m | 1,035 lx | 720 lx | |
| 20m | 261 lx | 180 lx | |
| 30m | 114 lx | 80 lx | |
| 40m | 66 lx | 45 lx | |
| 50m | 42 lx | 29 lx | |

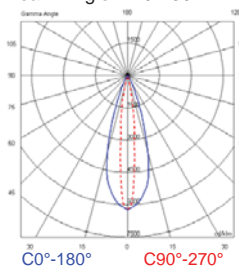
Beam Angle = 30°




Center Beam Lux

| | Cool White | Warm White | Beam Width 30° |
|-----|------------|------------|---|
| 5m | 915 lx | 639 lx |  |
| 10m | 228 lx | 159 lx | |
| 20m | 57 lx | 40 lx | |
| 30m | 26 lx | 18 lx | |
| 40m | 15 lx | 11 lx | |
| 50m | 9 lx | 6 lx | |

Beam Angle = 10°x30°



Center Beam Lux

| | Cool White | Warm White | Beam Width 10°x30° |
|-----|------------|------------|---|
| 5m | 1,239 lx | 867 lx |  |
| 10m | 309 lx | 216 lx | |
| 20m | 78 lx | 54 lx | |
| 30m | 35 lx | 24 lx | |
| 40m | 20 lx | 14 lx | |
| 50m | 12 lx | 9 lx | |