

SAVE ENERGY SAVE EARTH



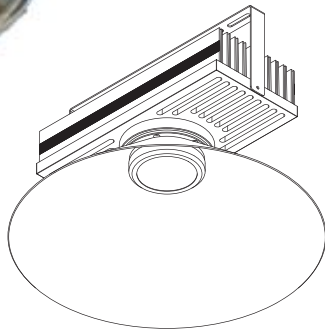
M1



M2



M3



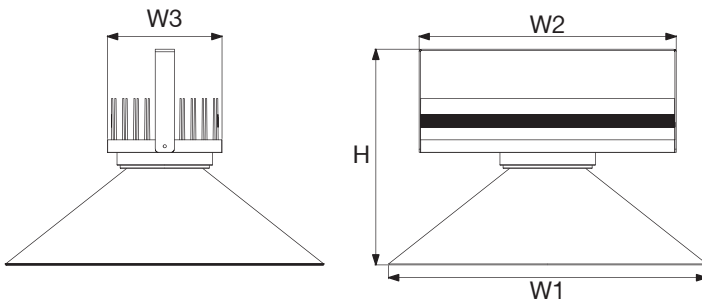
LED HIGH BAY

LED High Bay is typically used in industrial applications. They have the same features as high bay and Street lighting but with a different sized enclosed reflector. LeKise provides a better lighting solution of light in low/high ceiling applications.

The appearance of LED High Bay is as similar as traditional high bay lighting but it save more energy and has lower light depreciation rates to decrease both energy and maintenance cost. Without complicated installation and to much limited condition, LeKise provides a great lighting solution for industrial applications.



DIMENSION



Power	Dimension(mm.)			
	W1	W2	W3	H
60 W	355	246	180	300
80 W	355	246	180	300
100 W	425	340	180	420
120 W	425	340	180	420
150 W	425	405	180	420

SPECIFICATION

Parameter	Rating	Units
Input Voltage	90~260 @50/60Hz	VAC
Power Factor	>0.95	--
Body Material	Aluminum	--
IP Rating	IP66	--
Weight	4.6 / 5.3 / 5.3 / 5.3 / 5.8	kg
Life Time	50,000	hrs.



SPECIFICATION AND ILLUMINANCE

Product Code	Lens	Power	Field Angle	Flux(Typ.)	Lux@4m. (Typ.)	Lux@6m. (Typ.)	Lux@8m. (Typ.)	Color	CCT
30HM100060AC045W	M1	60W	45°	4,800	402	179	101	Cool White	5,300~5,700K
30HM100080AC045W		80W	45°	6,400	536	238	134	Cool White	5,300~5,700K
30HM100100AC045W		100W	45°	8,000	679	302	170	Cool White	5,300~5,700K
30HM100120AC045W		120W	45°	9,600	815	362	204	Cool White	5,300~5,700K
30HM100150AC045W		150W	45°	12,000	1,007	448	252	Cool White	5,300~5,700K
30HM200060AC045W	M2	60W	45°	4,800	535	238	134	Cool White	5,300~5,700K
30HM200080AC045W		80W	45°	6,400	714	317	178	Cool White	5,300~5,700K
30HM200100AC045W		100W	45°	8,000	892	397	223	Cool White	5,300~5,700K
30HM200120AC045W		120W	45°	9,600	1,071	476	268	Cool White	5,300~5,700K
30HM200150AC045W		150W	45°	12,000	1,322	587	330	Cool White	5,300~5,700K
30HM300060AC090W	M3	60W	90°	4,800	152	68	38	Cool White	5,300~5,700K
30HM300080AC090W		80W	90°	6,400	203	90	51	Cool White	5,300~5,700K
30HM300100AC090W		100W	90°	8,000	254	113	64	Cool White	5,300~5,700K
30HM300120AC090W		120W	90°	9,600	304	135	76	Cool White	5,300~5,700K
30HM300150AC090W		150W	90°	12,000	380	169	95	Cool White	5,300~5,700K

LIGHT PATTERN

