



EXIT SIGN

Nowadays, people realize the importance of energy saving and global warming. The vision from LeKise top management, which has been working in electrical field more than 40 years, we have truly realized the over-consumption of energy as well as global warming. For this reason, our policy is to be a part to decrease the amount of co2 emission and power consumption by producing energy saving product such as "LED EXIT SIGN".

- CASING: Electro-Galvanized Steel Sheet with epoxy powder coated and stove Enamel (Anti-rust corrosion proof)
- FRAME: Polycarbonate (PC)
- SIGNBOARD: Perspex LMS

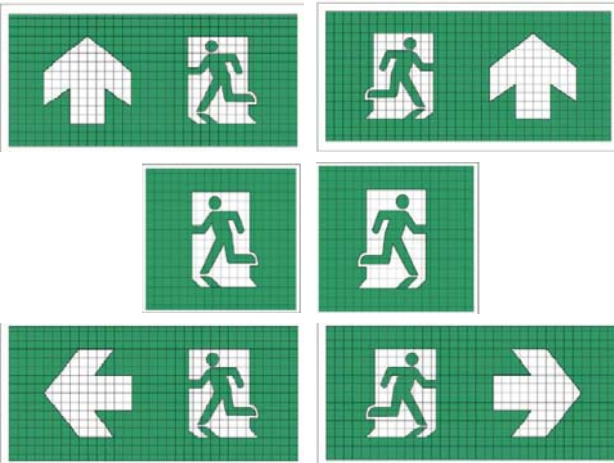
FEATURE AND QUALIFICATION:

- Maintained Mode
- Low-High voltage cut-off, preventing battery over discharge and recharge
- AC fuse, preventing short circuit and overload for main incoming AC
- DC fuse, preventing short circuit and overload for charging
- Solid state system automatic battery charger
- LED status indicator (charge,full)
- Power save by 70%
- Easy installation both wall mounted type and ceiling mounted type

Certified by

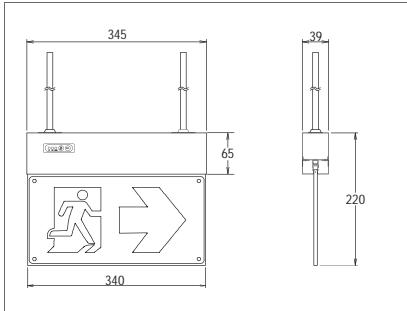
The Engineering Institute of Thailand

Uner H.M. The King's Patronage

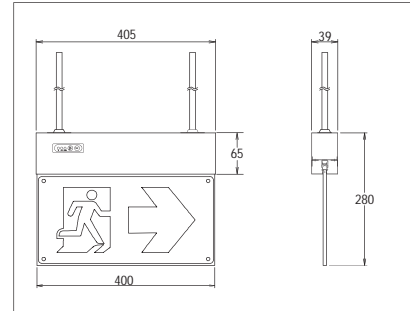


DIMENSION

LEP-EX01-LED



LEP-EX02-LED



SYMBOL HEIGHT = 10 cm.



SYMBOL HEIGHT = 15 cm.

SPECIFICATION

PRODUCT CODE :	LEP-EX01-LED	LEP-EX02-LED
Voltage	AC 220 Volt 50Hz., 10%,1Phase.	AC 220 Volt 50Hz., 10%,1Phase.
Battery	3.6 V,(1800 mA. Ni-MH 1.2.x3)	3.6 V,(1800 mA. Ni-MH 1.2.x3)
Lamp	12 smd LED	14 smd LED
Power	3 W.	3 W.
Luminous Intensity	6100 mcd	7,760 mcd
Lamp Life Time	> 50,000 h	> 50,000 h
Battery Charging Period	15 hrs.	15 hrs.
Battery Backup Duration	2 hrs.	2 hrs.
IP Rating	IP30	IP30
LED LIGHT DISPLAY		
Normal Status	RED LIGHT SHOWN	RED LIGHT SHOWN
Charge Status	YELLOW LIGHT SHOWN	YELLOW LIGHT SHOWN
Battery Full Status	GREEN LIGHT SHOWN	GREEN LIGHT SHOWN