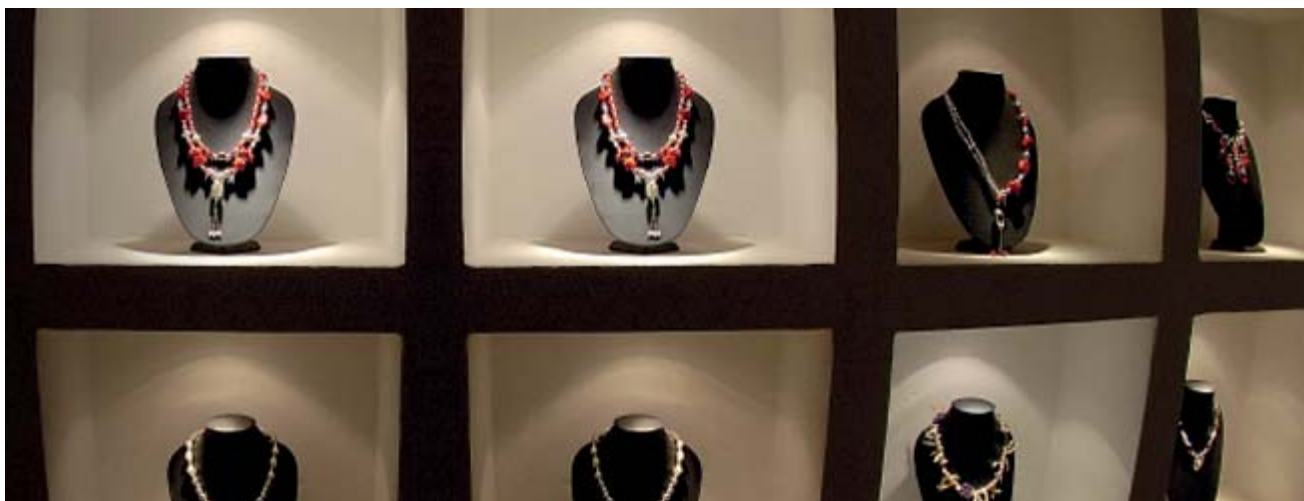


SAVE ENERGY SAVE EARTH

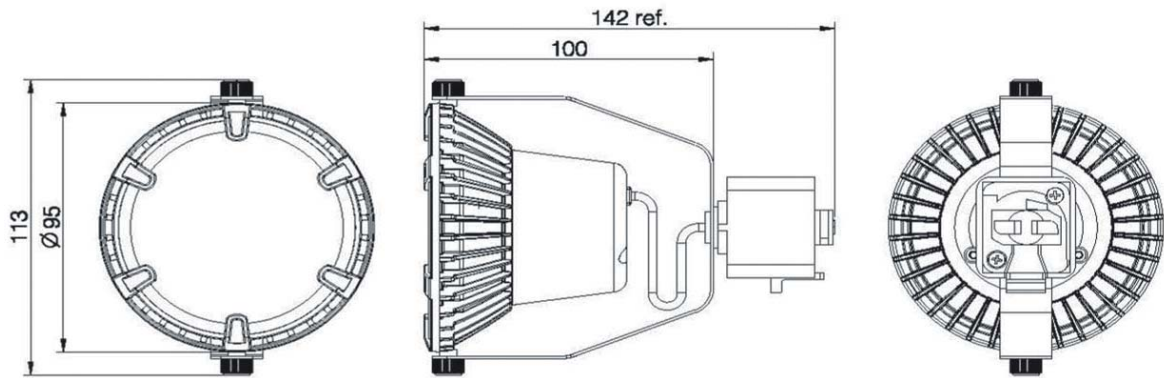


## LED TRACKLIGHT 7.5W

- Unique design for perfectly optical performance.
- Cool Beam avoids heat degeneration.
- UV or IR free.
- Optimized thermal management.
- High-voltage isolation and switching mode power designs give high-efficient and constant current source.



## DIMENSION



## SPECIFICATION

Parameter	Specification	Units
Power Consumption	7.5	W
Input Voltage	90 ~ 240	VAC
LED Light Source	7ea x 1W (Nichia 083BT)	--
Field Angles	45°	Degree
Operation Temperature	-20 ~ 40	°C
Weight	300	g.



## ILLUMINANCE AND FIELD ANGLE

Cool White / Warm White

Product Code	Power Consumption	Field Angle	Flux(lm)[Typ.]	Color	CCT	CRI
30TK000705AC045W	7.5 W	45°	467	Cool White	5,200K ±400K	70
30TK000705AW045W		45°	373	Warm White	3,000K ±300K	75

## LIGHT PATTERN

