

SAVE ENERGY SAVE EARTH



## LED DOWNLIGHT DIMMABLE 10W ADJUST (CIRCLE)

### FEATURE

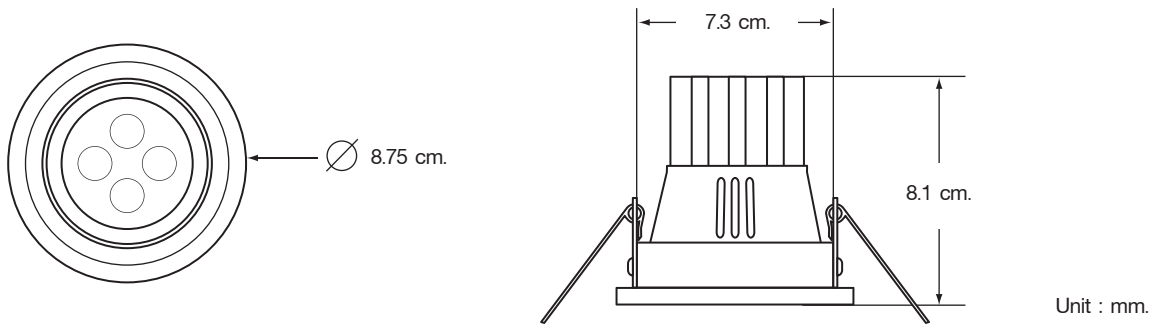
- No UV, IR radiation, mercury or hazardous materials, environment friendly
- Low energy consumption, ideal for all energy saving application
- High luminous flux and luminous efficiency with lower light output decay.
- Solid-state, high shock or vibration resistant
- Easy to install

### APPLICATION

LED DOWNLIGHT is a replacement for conventional bulb, Ideal for home and office ceiling lighting, hotels, display case lighting, under cabinet lighting, recessed lighting, business and art lighting.



## DIMENSION



## SPECIFICATION

Parameter	Specification	Units
Power Consumption	10	W
Max. Input Voltage	12.5	VDC
Input Current	750	mA
Field Angles	30°	Degree
Weight	280	g.

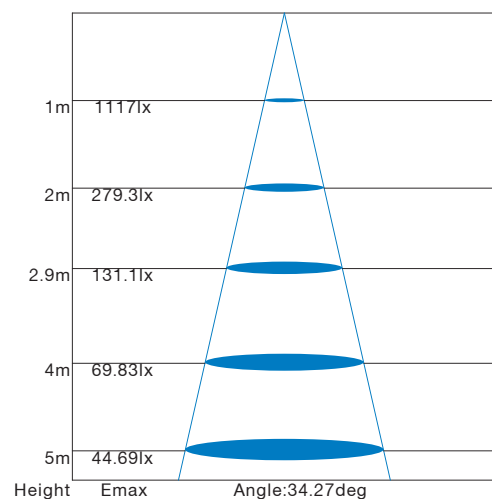
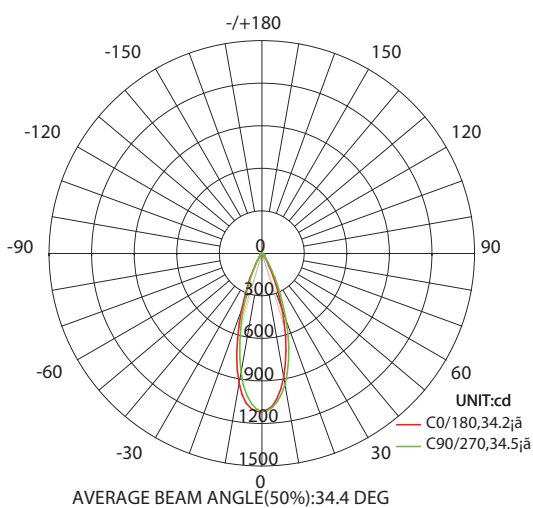


## ILLUMINANCE AND FIELD ANGLE

Cool White / Warm White

Product Code	Power Consumption	Field Angle	CRI	Flux(lm)[Typ.]	Color	CCT
30DC000010AC060N	10 W	30°	80	670	Cool White	5,000-6,500K
30DC000010AW060N		30°	85	558	Warm White	2,700-3,500K

## LIGHT PATTERN



## RECOMMENDED DRIVER SPECIFICATION

Input Voltage	Output Voltage	Power Input	Power Output	Output Current	Power Factor	Dimming
220VAC/50Hz	17VDC	13W	10W	700mA	0.8	0-10V