



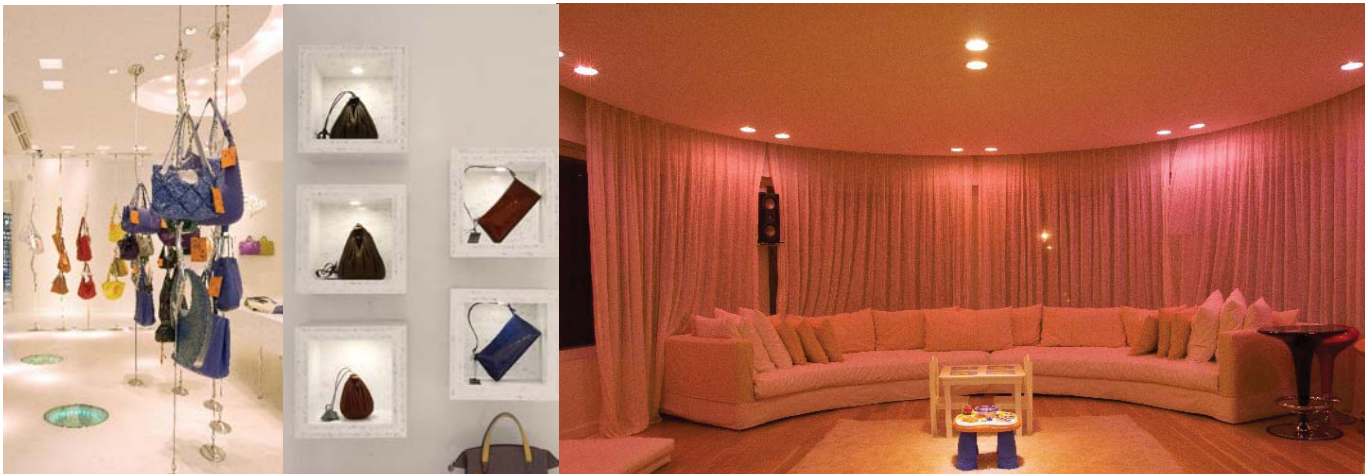
## LED TD20 7W

### Recessed Downlight

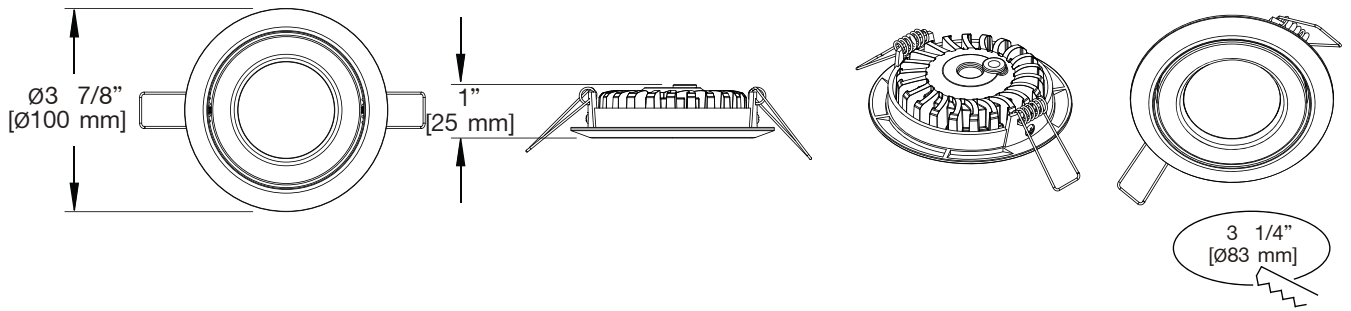
The TD20 series of 7 watt LED down lights, bring to the marketplace the perfect solution to energy efficient lighting. Designed with aesthetic appeal in mind, the TD20 tiltable down light range satisfies the needs of both the Commercial and Residential marketplace.

Constructed in high pressure die-cast aluminum these fixtures are available in tiltable. A wide choice of finishes and adaptable spring steel mounting clips, makes this the perfect choice.

- Recessed ring with broad trim, suitable for all types of ceilings
- Luminaire can be tilted by 0° ~ 45°.
- Heat sink, mounting rings, which are visible from below, are cast aluminium.
- Liquid-coated white or Silver.
- Installation without tools via recessed ring with clamping springs, luminaire unit with snap-in springs.
- Ready to plug-in.
- Power supply unit to be ordered separately.
- Special filters for bakery or meat & sausage products.



## DIMENSION



Tolerance:  $\pm 1/8"$  [2.5 mm]

## SPECIFICATION

Parameter	Specification	Units
Power Consumption	7	W
Field Angles	38°	Degree
Color Temperature	3,000 / 6,000	°K
Color Rendering Index	80 / 70	--
Weight	170 $\pm$ 5	g.
Life Time	30,000	hrs.



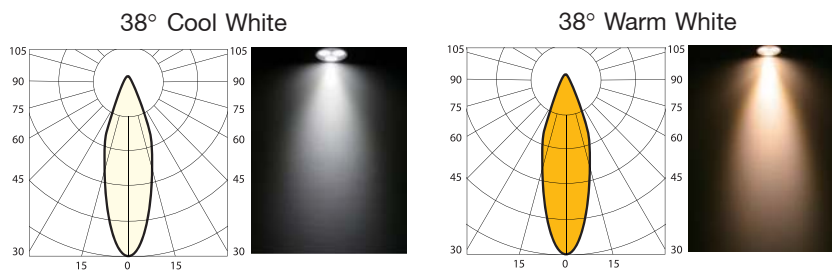
## ILLUMINANCE AND FIELD ANGLE

- Cool White / Warm White

Product Code	Model	Power Consumption	Field Angle	Flux(lm)	Lux@ 1m.	Color	CCT
30TA00000AC038N	Adjustable Type	7 W	38°	500	2,650	Cool White	5,650~7,000K
30TA00000AW038N	Adjustable Type		38°	360	1,700	Warm White	2,670~3,050K

## LIGHT PATTERN

The diagram present the light patterns with respect to different color temperature and angles.



## ASSEMBLY INSTRUCTIONS AND RECOMMENDED DRIVER SPECIFICATION

Specification of recommended driver

Input Voltage	Output Voltage	Operating Current (Constant)	Rated Power
AC 100 ~ 240V	DC 3 ~ 30V	300 mA	>10W

Assembly instructions

1. Connect the 7W TD20 Series to the DC driver shown as step 1.
2. Plug the driver to AC outlet shown as step 2.

Caution : Never plug the driver to AC outlet before the 7W TD20 Series is properly connected as this damage the LEDs permanently.

