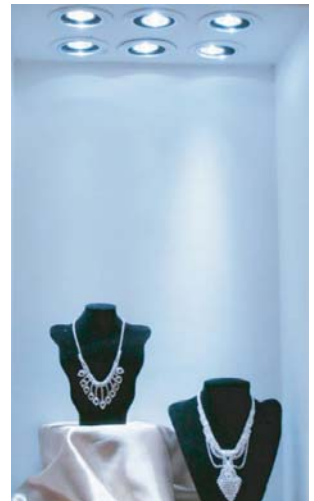
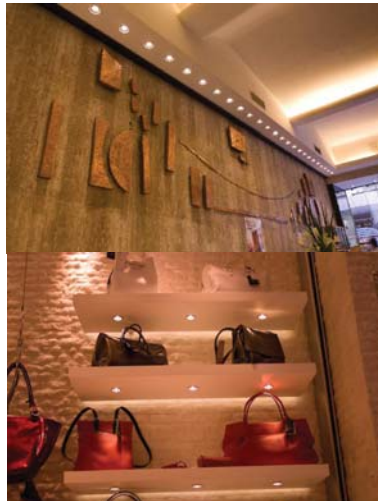


SAVE ENERGY SAVE EARTH

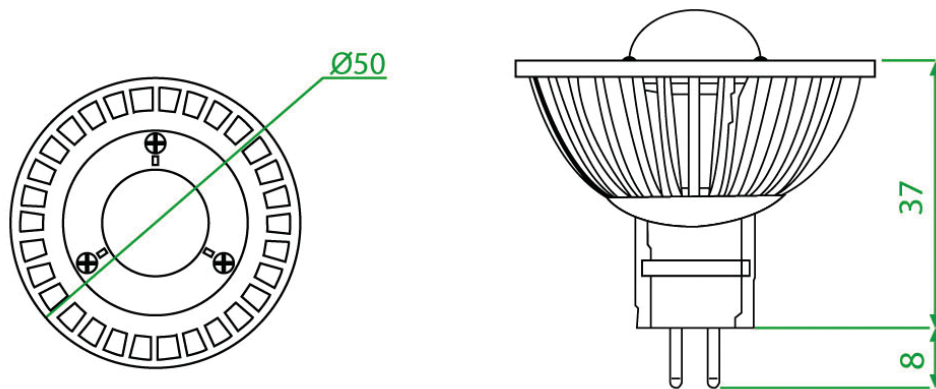


LED MR16 SPOTLIGHT

- Patent product
- Use high power LED, Long life more than 30,000 hr.
- Low Power consumption, energy saving
- Low heat, excellent heat sink design, dose not heat up as traditional
- Radiation free, no UV nor IR lights, best to be use as display light for paintings, photos or products, preent color change and damage on displayed goods.
- Consistence and focused light beam, diminish wasting of unnecessary illuminant.
- Aluminium extruded body, Shock and impack resistant.
- Easy installation, directly replace of Halogen MR16
- Use on Entertainment lighting, Architectural lighting, Lanscape lighting, Art Gallery, Display Cabinet lighting.



DIMENSION



SPECIFICATION

Parameter	Specification	Units
Power Consumption	4 / 10	W
Field Angles	60°	Degree
Color Temperature	2,600~2,800 / 6,000~7,000	°K
Color Rendering Index	80 / 75	--
Material	Aluminium + Plastic(PBT)	--
Life Time	30,000	hrs.
Base	GU 5.3	--



ILLUMINANCE AND FIELD ANGLE

The tables present the illuminance level with respect to different color temperature.

Product Code	Power Consumption	Field Angle	Lux@ 1m.[Typ.]	Color	CCT
30MS029004EC060N	4 W	60°	340	Cool White	6,000~7,000K
30MS029004EW060N		60°	210	Warm White	2,600~3,700K
30MS029010EC060N	10 W	60°	650	Cool White	6,000~7,000K
30MS029010EW060N		60°	540	Warm White	2,600~3,700K

LIGHT PATTERN

The diagrams present the light patterns with respect to different color temperature and field angle.

