

## Wiring diagram of the Variable Speed Pump Controller.

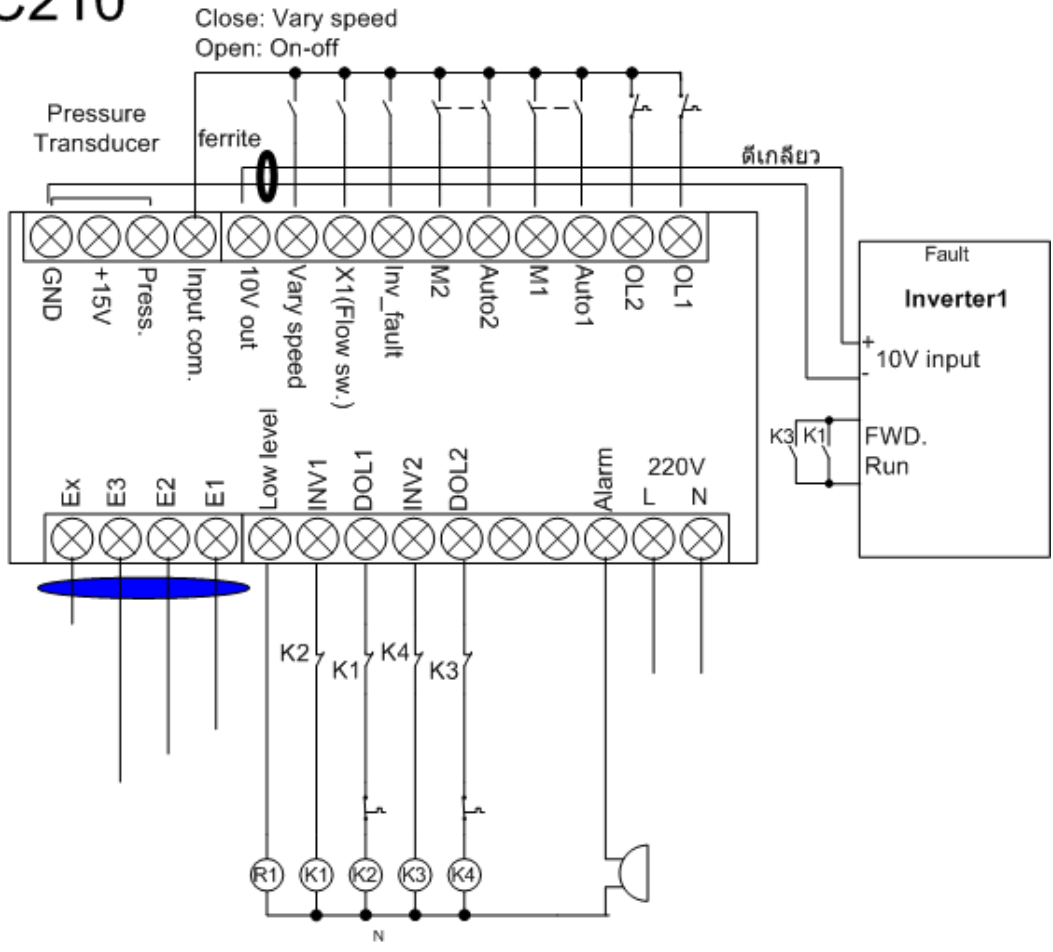
Model	Number of Pump.	Number of Inverter.	Number of Flow switch.
PC210	2	1	1
PC220	2	2	1
PC210-2flow	2	1	2
PC210-sv	2	1	1
PC310	3	1	1
PC330	3	3	1
PC310-3flow	3	1	3
PC410	4	1	1

หมายเหตุ

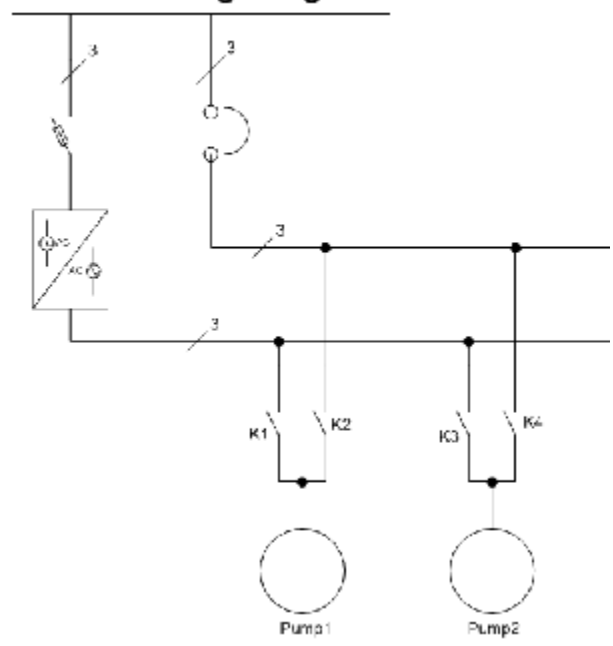
- **PC210-sv** เพิ่มการควบคุม **solenoid valve** สำหรับเติมน้ำให้เต็มบ่อตลอดเวลา



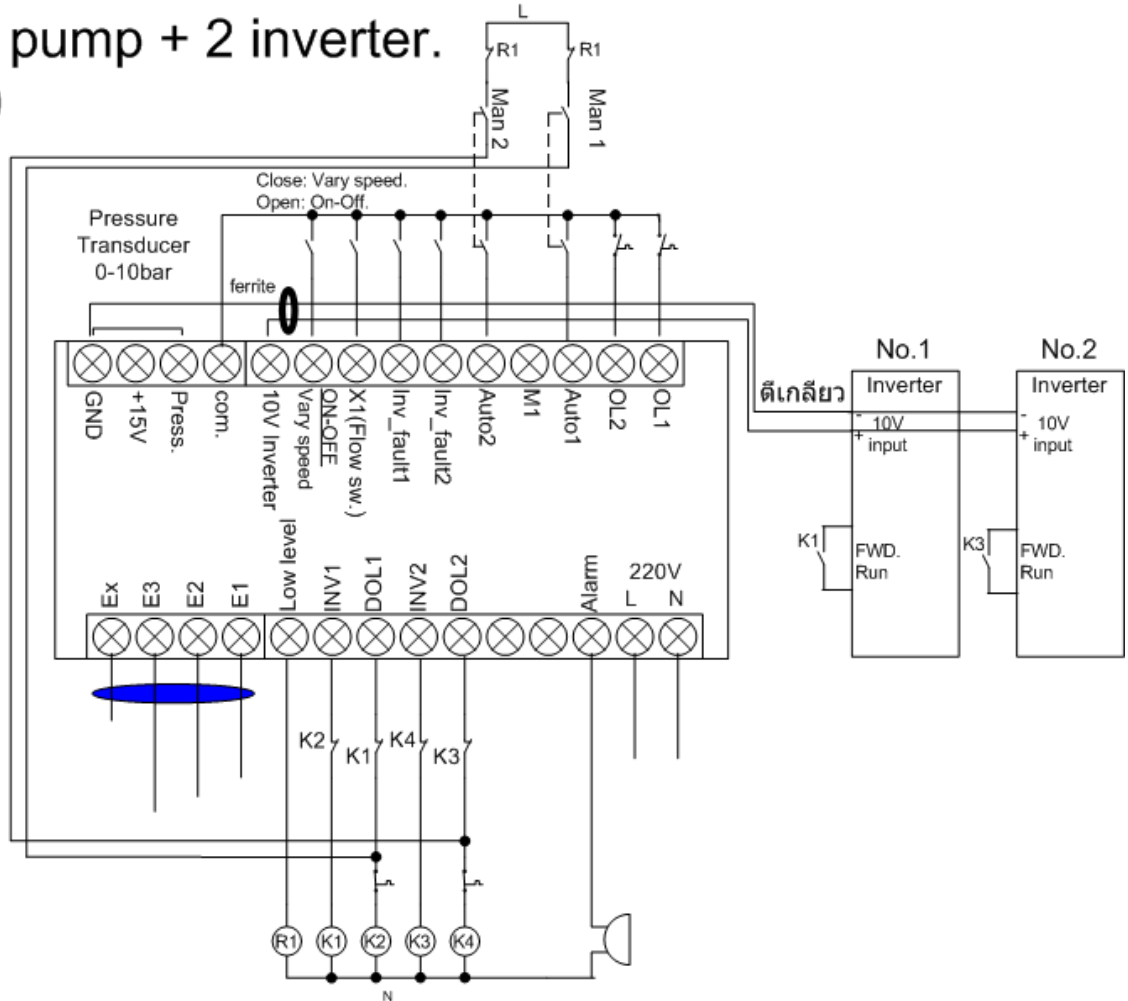
# VSD 2 pump + 1 inverter. PC210



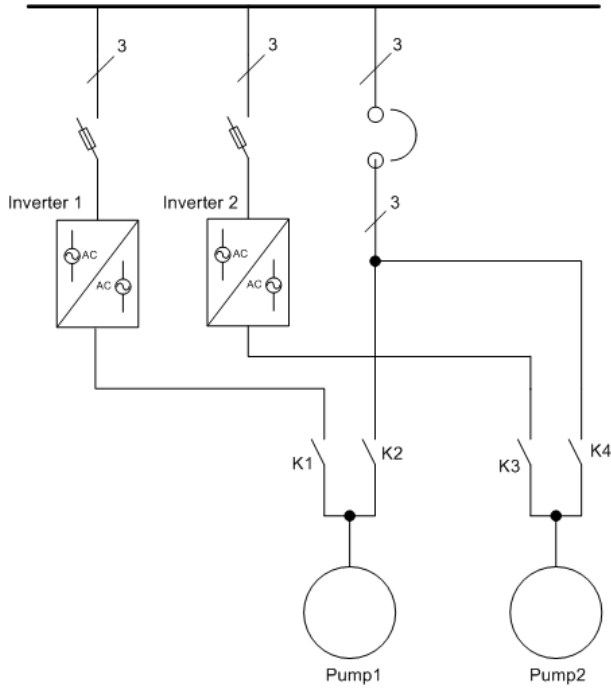
## Power wiring diagram.



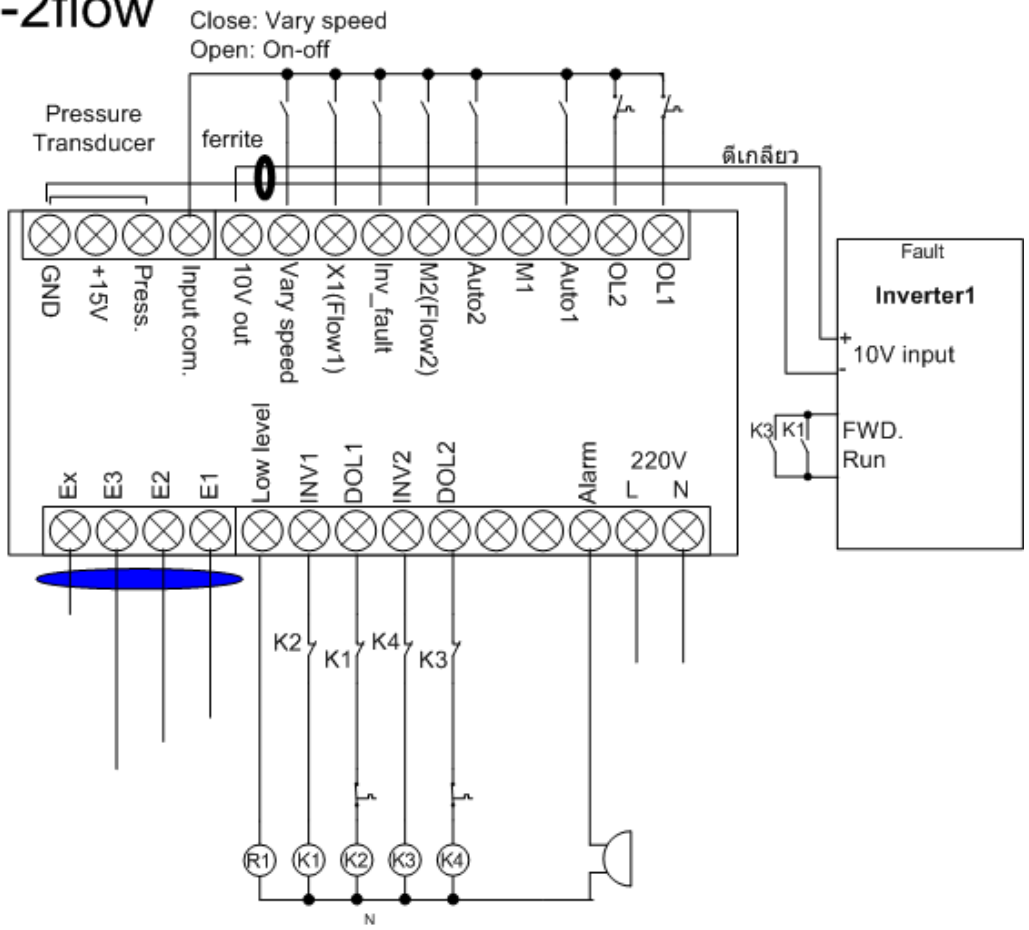
# VSD 2 pump + 2 inverter. PC220



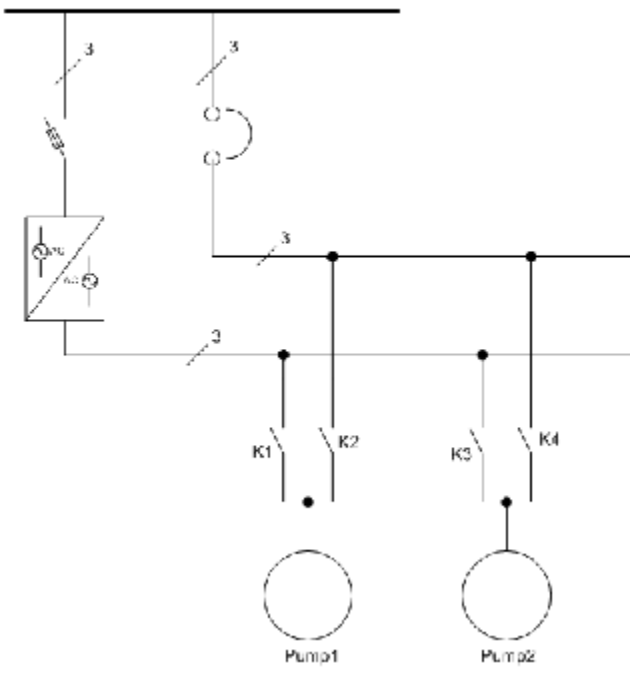
## Power wiring diagram (PC220).



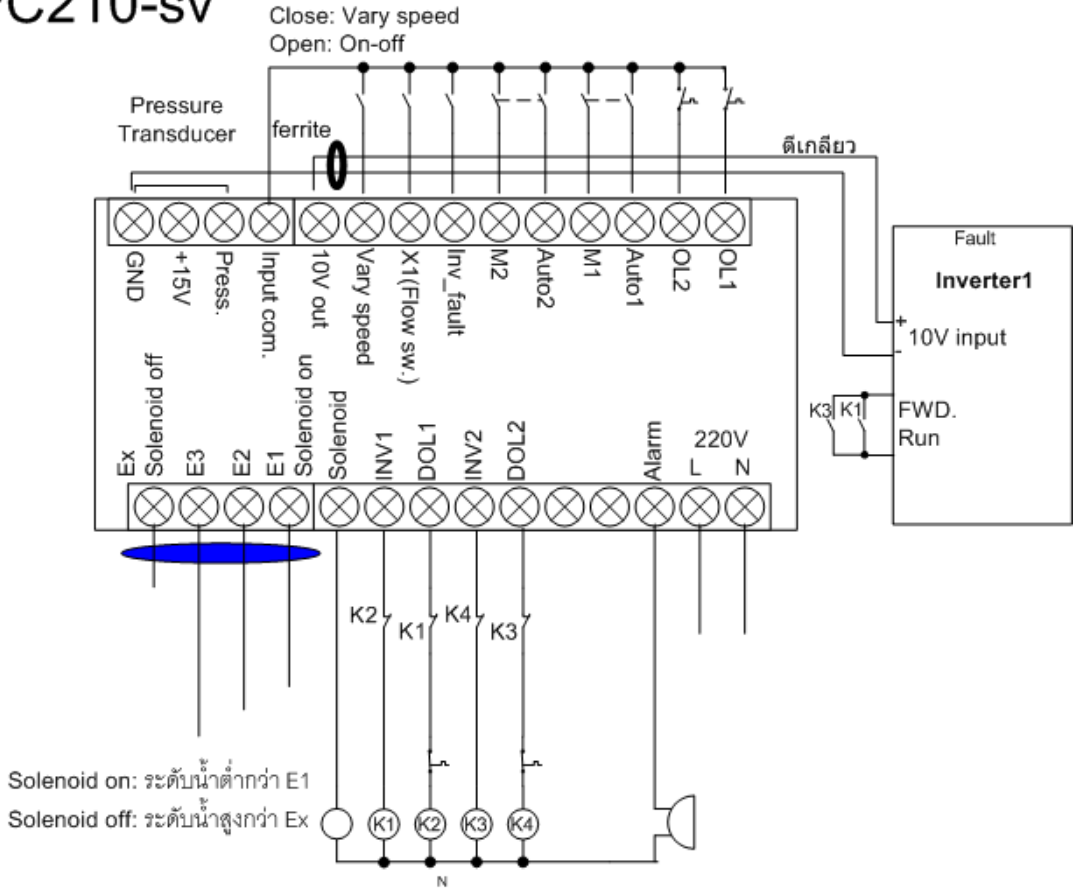
# VSD 2 pump + 2 flow sw. PC210-2flow



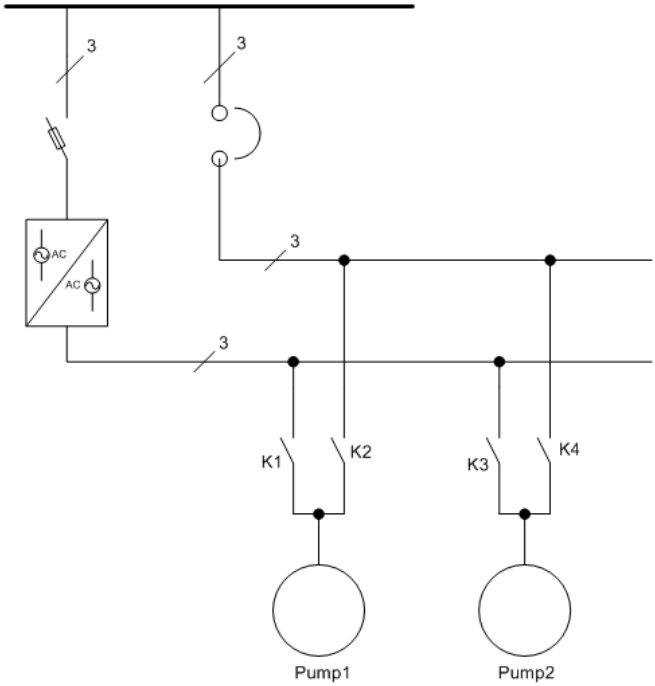
## Power wiring diagram.



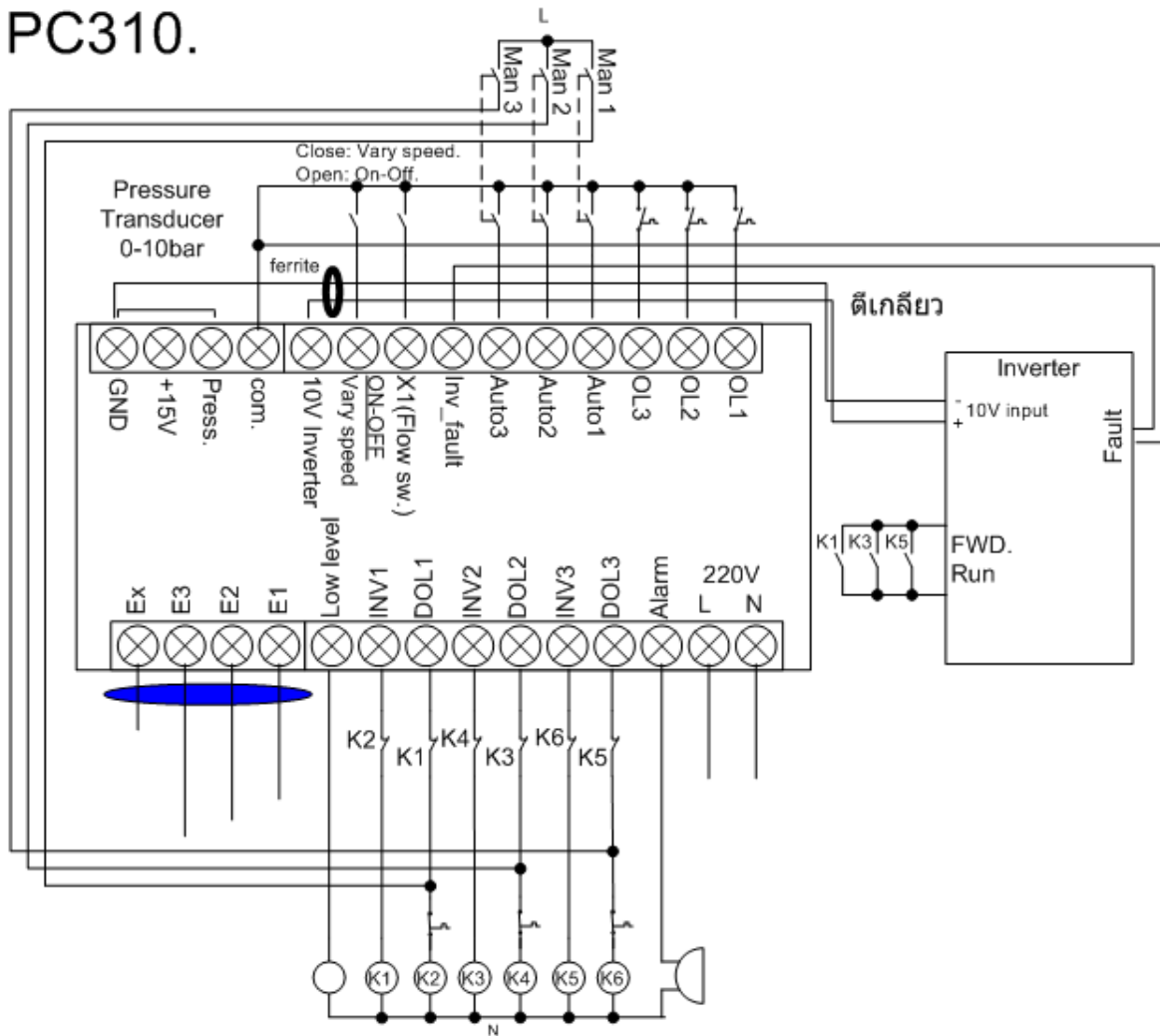
# VSD 2 pump + 1 inverter. PC210-sv



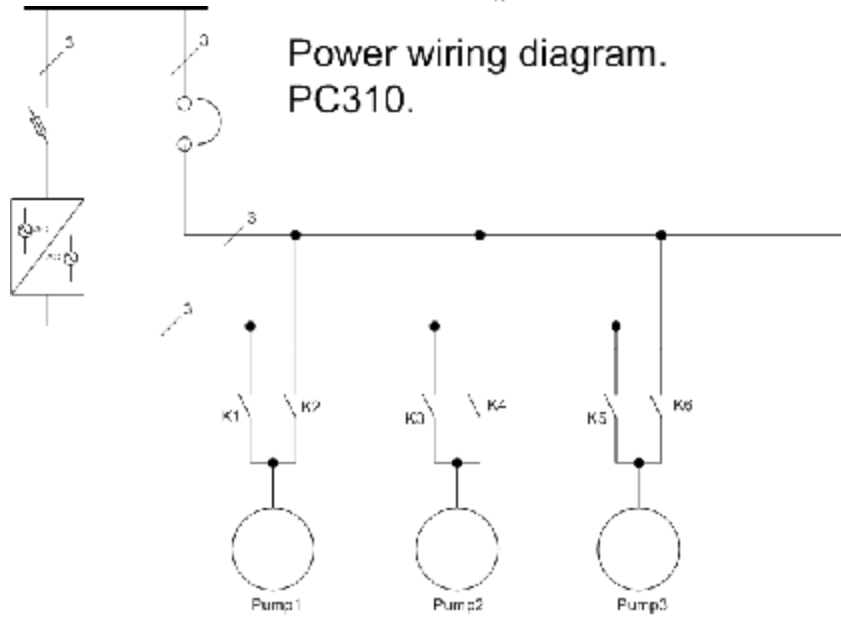
## Power wiring diagram.



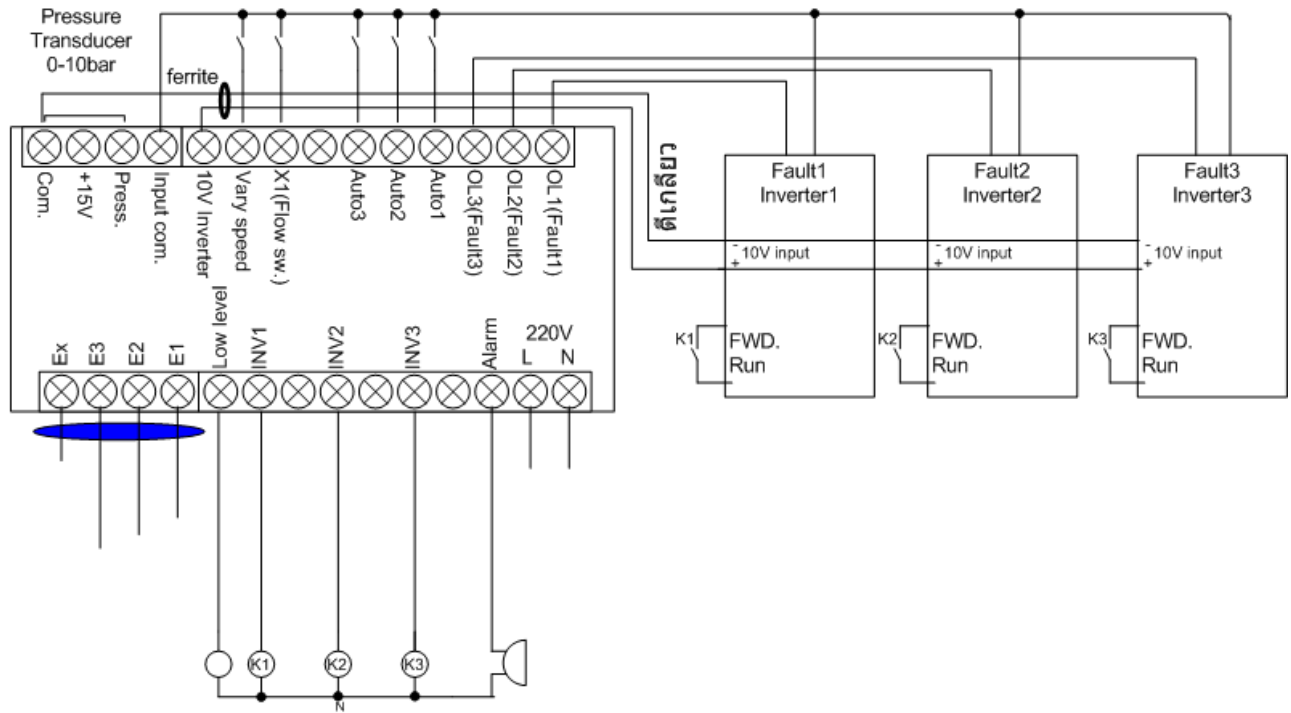
# Vsd 3 pump + 1 inverter. PC310.



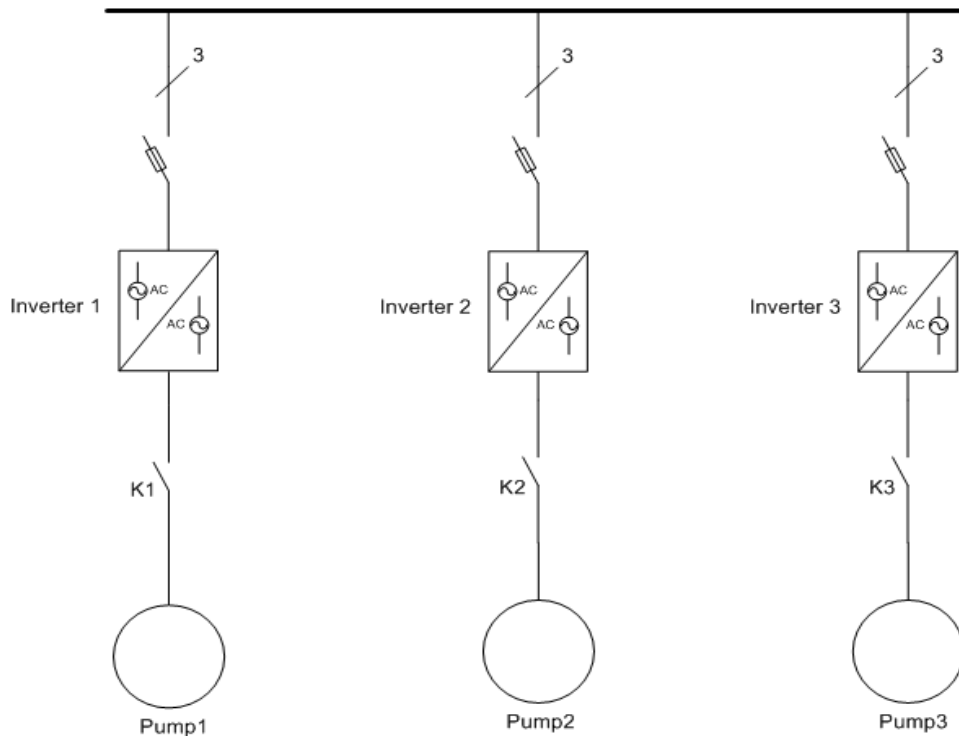
## Power wiring diagram. PC310.



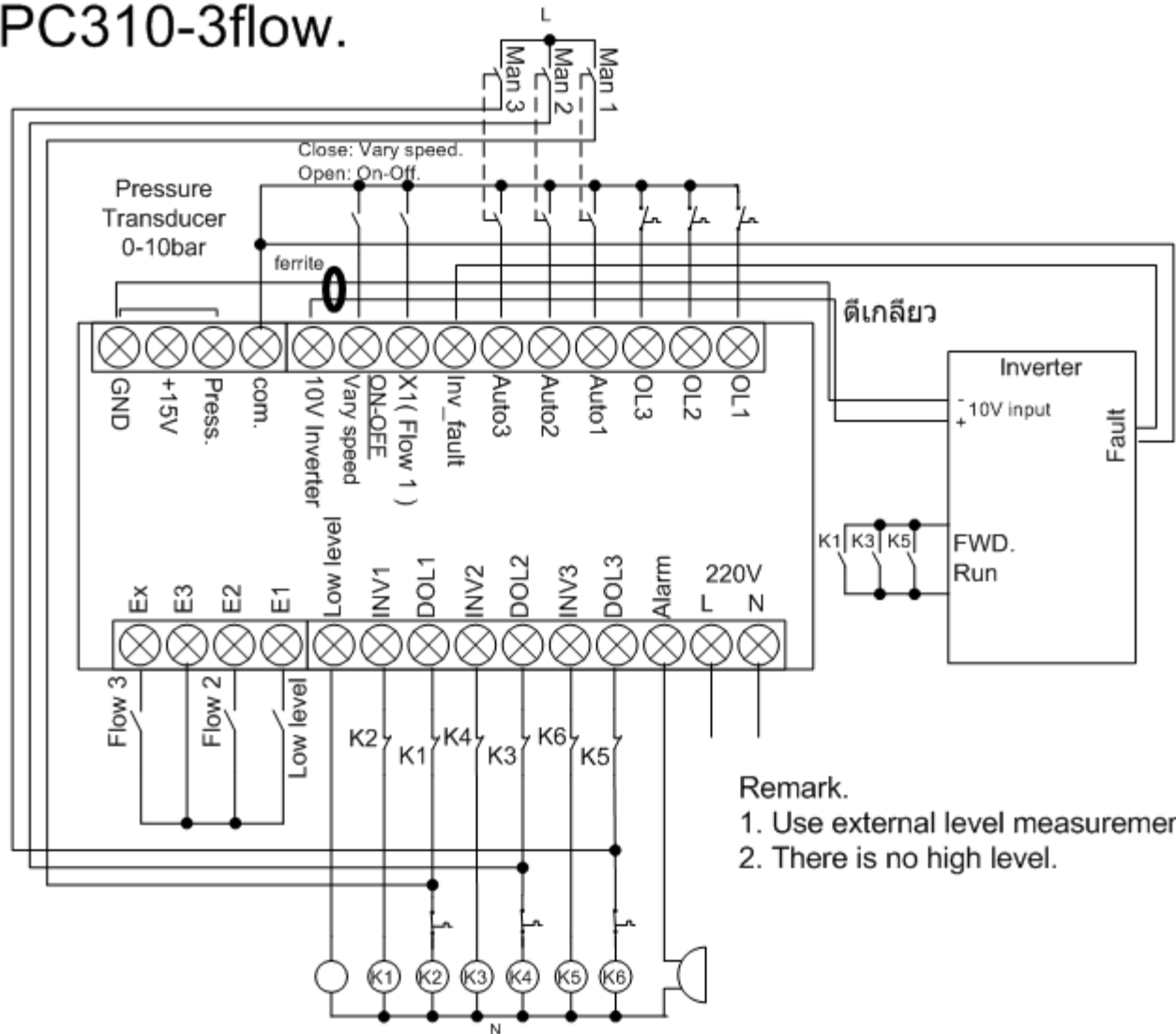
Vsd 3 pump + 3 inverter.  
PC330.



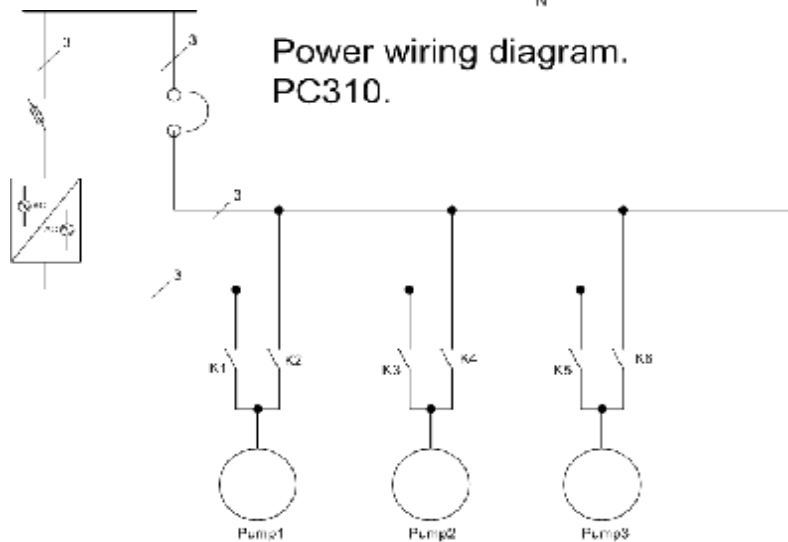
Power wiring diagram.  
PC330.



# Vsd 3 pump + 3 flow sw. PC310-3flow.

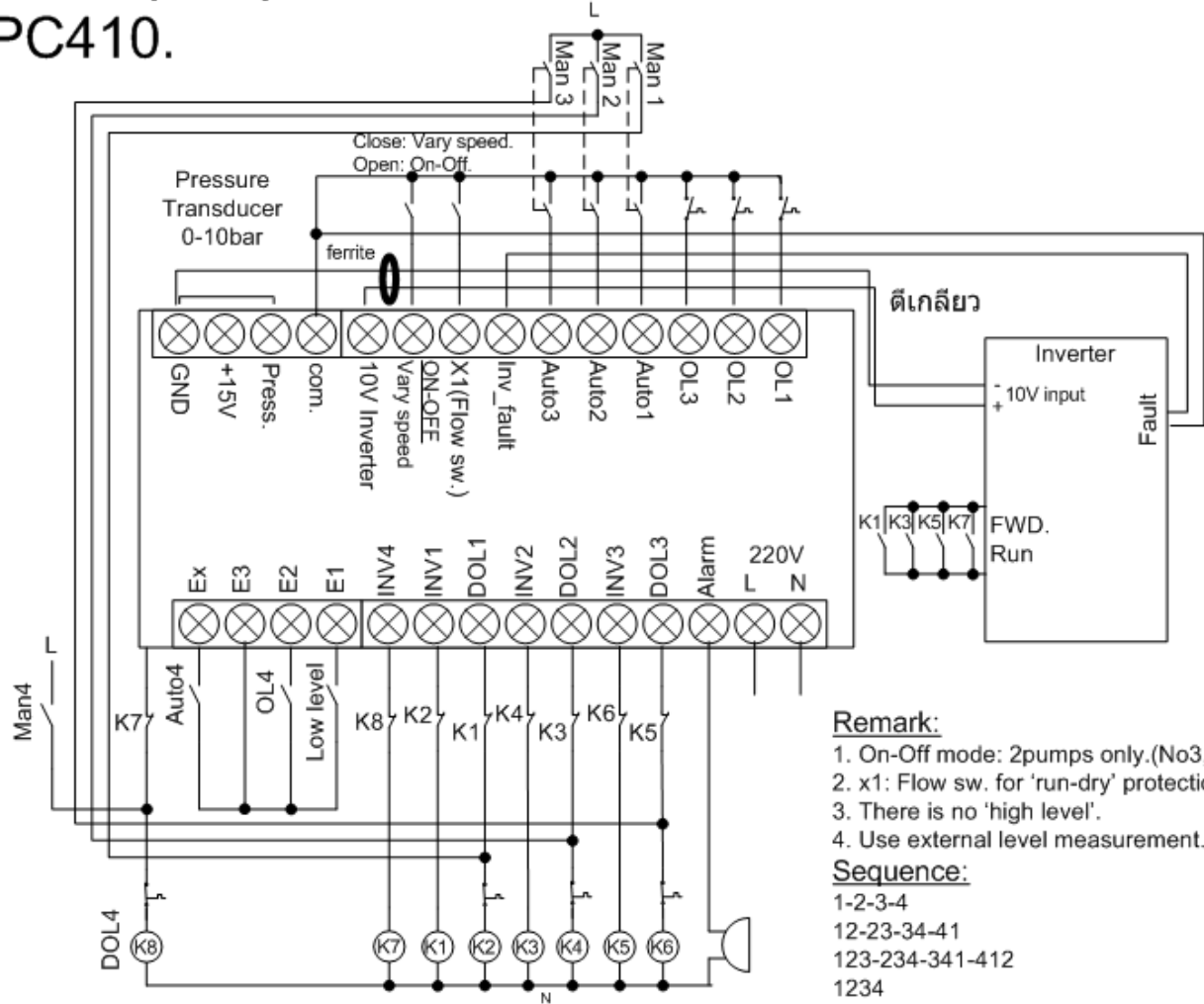


Remark.  
1. Use external level measurement.  
2. There is no high level.





# Vsd 4 pump + 1 inverter. PC410.



- Remark:**
1. On-Off mode: 2pumps only. (No3, No4)
  2. x1: Flow sw. for 'run-dry' protection.
  3. There is no 'high level'.
  4. Use external level measurement.

- Sequence:**
- 1-2-3-4  
 12-23-34-41  
 123-234-341-412  
 1234

## Power wiring diagram. PC410.

