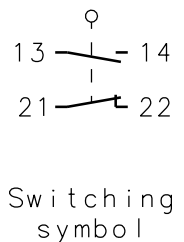
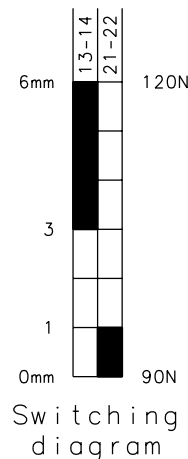
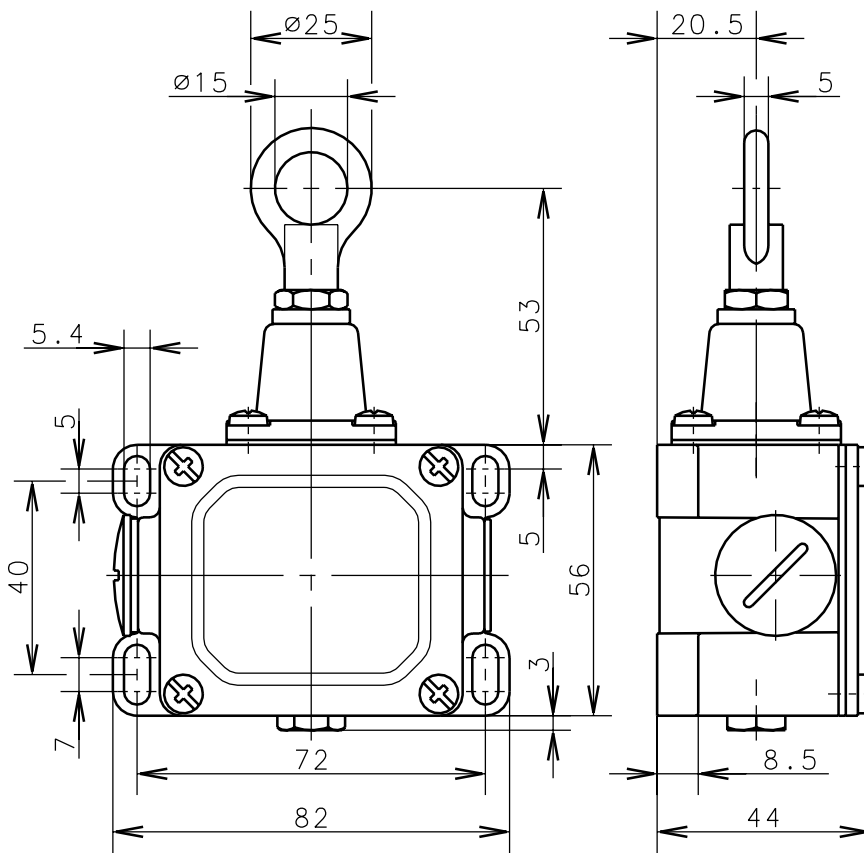


**Bernstein**Bernstein AG
Postfach 1164
D-32437 Porta Westfalica**Technical data sheet**

SD-U1

601.1411.856

Tolerance of tensile force $\pm 15\%$ **Mechanical features**

Enclosure: Al-die cast
 Cover: Al-plate
 Actuator: Pull ring

Ambient air temperature: -30°C up to $+80^{\circ}\text{C}$
 Contact type: 1 NC-contact, 1 NO-contact

Mechanical life: 1×10^6 switch frequency
 Switch frequency: max. 50/min
 Mounting: 4 x M5
 Connection type: 4 screw connections (M4)
 Cable entry size: 2 x Pg 13,5
 Weight: approx. 0,33 kg
 Rest facility: -

Electrical features

Max. voltage: 500 V AC
 Enduring current: 1 th 16A
 Inrush current: accord. to IEC 947-5-1, AC 15, DC 13
 Standards: accord. to EN 60204; EN 60947-1; EN 60947-5-1
 Protection class (IP-Code): IP65 accord. to EN 60529; DIN VDE 0470 T1
 CSA: 10A 300V AC, A300 same polarity
 Short circuit protection: 16A slow-acting, 20A quick-acting

Remarks

The moving parts should be oiled periodically.
 Rope with accessories can be delivered on request.
 The planned protection class (IP-Code) is valid only at closed cover and when using an at least equivalent cable gland.

Schutzvermerk nach DIN 34 beachten
Copyright reserved

13.09.2000