

Category 2, EN 954-1

PNOZ X7 24 V DC/AC, PNOZ X7 DC



Emergency Stop Relay in accordance with VDE 0113 part 1, 11/98, EN 60204-1, 12/97 and IEC 204-1, 11/98

Features

- Single-channel operation

Approvals

	PNOZ X7
	●
	●
	●

Technical Data	PNOZ X7 24 V DC/AC	PNOZ X7 AC
Electrical Data		
Supply Voltage	24 V DC/AC	42, 110, 115, 120, 230, 240 V AC
Tolerance	85 ... 110 %	85 ... 110 %
Power Consumption	Approx. 2 W/2 VA	Approx. 3 VA
Voltage and Current at reset circuit/feedback control loop	24 V DC, 50 mA	24 VDC, 50 mA
Switching Capability in accordance with EN 60947-4-1, 10/91	AC1: 240 V/6 A/1500 VA DC1: 24 V/6 A/150 W	240 V/3 A/700 VA 24 V/3 A/70 W
in accordance with EN 60947-5-1, 10/91	AC15: 230 V/5 A DC13: 24 V/6 A	230 V/3 A 24 V/3 A
Output Contacts	2 (N/O) safety contacts	
Contact Fusing to EN 60947-5-1, 10/91	6 A quick or 4 A slow	
Times		
Response Delay	Aver. 50 ms Max. 400 ms	Aver. 250 ms Max. 700 ms
Release Delay	Max. 70 ms	Max. 100 ms
Recovery Time	Approx. 1 s	Approx. 1 s
Max. Supply Interrupt before De-energisation	Approx. 10 ms	Approx. 10 ms
Mechanical Data		
Max. cross section of external conductors	2 x 2.5 mm ² single-core or multi-core with crimp connectors	
Dimensions (H x W x D)	87 x 22.5 x 122 mm	
Weight	190 g	240 g

Description

- 22.5 mm S-95 housing, DIN-Rail Mounting
- Relay outputs, positive guided:
 - 2 (N/O) safety contacts
- Connections:
 - e-stop button
 - reset button
- LED indicators for status and supply voltage
- Increase in the number of contacts available by connecting external contactors/relays

Operating Modes

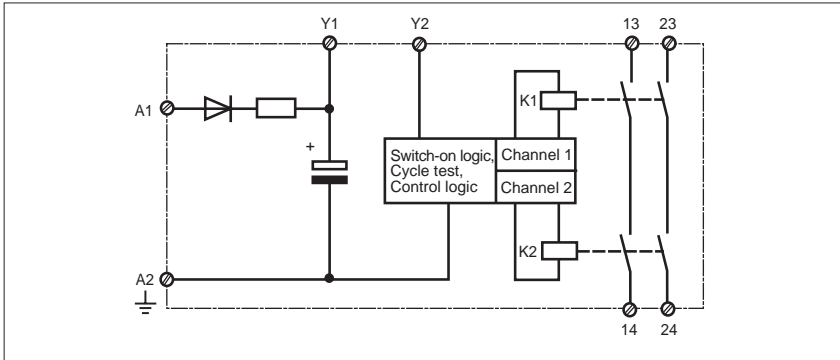
- Single-channel operation
- Automatic reset
- Manual reset

Category 2, EN 954-1

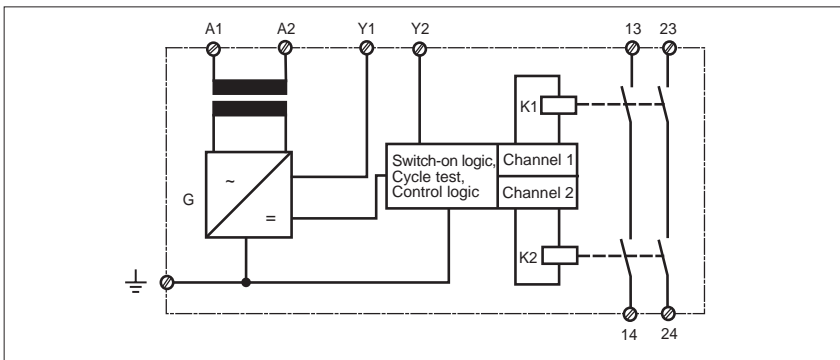
PNOZ X7 24 V DC/AC, PNOZ X7 DC

Internal Wiring Diagram

- PNOZ X7 24 V DC/AC

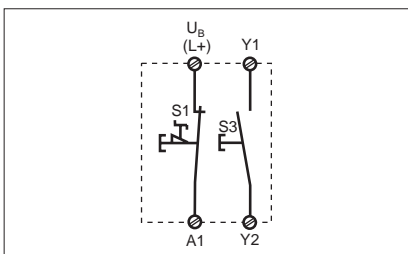


- PNOZ X7 AC



External Wiring

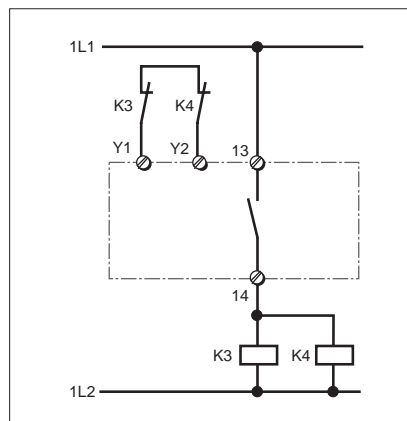
● Example 1
Single-channel E-Stop wiring with manual reset



- Key

S1: E-Stop button
S3: Reset button

● Increase in contacts
If required the number of output contacts on the PNOZ X7 can be increased using external relays / contactors.



Category 2, EN 954-1

PNOZ X7 24 V DC/AC, PNOZ X7 DC

General Technical Data

Unless stated otherwise in the technical details for the specific unit

Electrical Data

Frequency Range AC	50 ... 60 Hz
Residual Ripple DC	160 %
Contact Material	AgSnO ₂
Continuous Duty	100 %

Environmental Data

EMC	EN 50081-1, 01/92, EN 50082-2, 03/95
Vibration in accordance with EN 60068-2-6, 04/95	Frequency: 10 ... 55 Hz, Amplitude: 0.35 mm
Climatic Suitability	DIN IEC 60068-2-3, 12/86
Airgap Creepage	DIN VDE 0110 part 1, 04/97
Ambient Temperature	-10 ... +55 °C
Storage Temperature	-40 ... +85 °C

Mechanical Data

Torque Setting on Connection Terminals	0.6 Nm (screws)
Mounting Position	Any
Housing Material	Thermoplast Noryl SE 100
Protection	Mounting: IP 54 Housing: IP 40 Terminal Range: IP 20

The units were tested in accordance with the relevant standards current at the time of development.

Order References

Type	U _B	Order No.
PNOZ X7	24 V ACDC	774 059
PNOZ X7	42 V AC	774 058
PNOZ X7	110 V AC	774 053
PNOZ X7	115 V AC	774 054
PNOZ X7	120 V AC	774 055
PNOZ X7	230 V AC	774 056
PNOZ X7	240 V AC	774 057